

ANSI 150# CAST IRON FLANGE END GLOBE VALVE

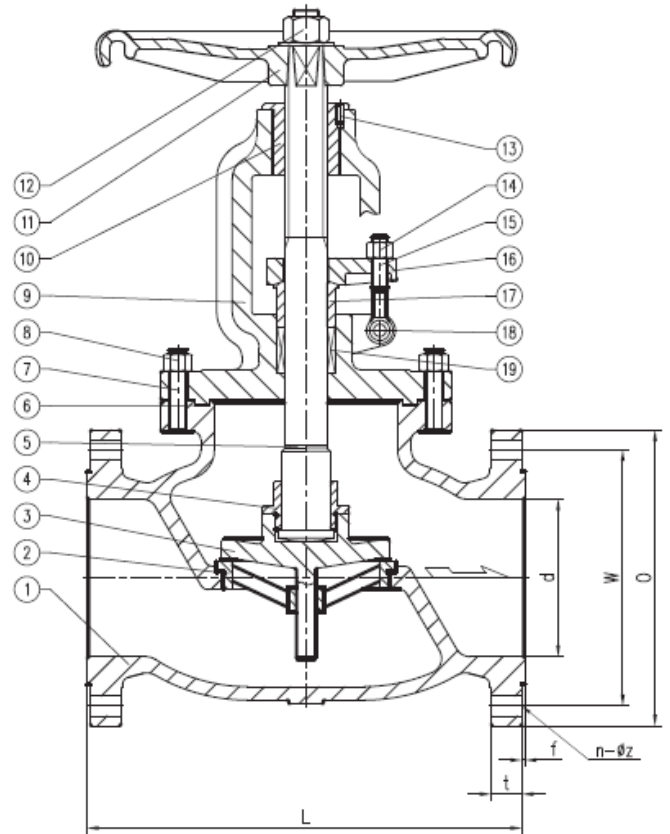
Feature:

- ANSI 150# Flange Connection
- Size: 5" –6"
- Valve Body Material: Cast Iron
- Working Pressure: Class 150
- Applicable Medium: General oil , gas and water applications
- Temperature range: $\leq 429^{\circ}\text{C}$



Material List:

| NO. | Part Name | Material |
|-----|---------------|---------------------|
| 1 | Body | ASTM A126 B |
| 2 | Seat | ASTM A126 B + SS304 |
| 3 | Disc | ASTM A126 B + SS304 |
| 4 | Cover | ASTM A29 1025 |
| 5 | Stem | ASTM A276 SUS410 |
| 6 | Gasket | SS304 + Graphite |
| 7 | Bolts | ASTM A29 1035 |
| 8 | Nuts | ASTM A29 1025 |
| 9 | Bonnet | ASTM A126 B |
| 10 | Stem Nut | ASTM A276 410 |
| 11 | Handwheel | ASTM A47 32510 |
| 12 | Nut | ASTM A29 1025 |
| 13 | Screw | SS304 |
| 14 | Nut | ASTM A29 1025 |
| 15 | Bolt | ASTM A29 1035 |
| 16 | Gland Flange | ASTM A126 B |
| 17 | Packing Gland | ASTM A276 410 |
| 18 | Pin | ASTM A29 1025 |
| 19 | Packing | Flexible Graphite |



Technical Specifications

1. Basic design and manufacture according to ASME B16.10
2. Face to face dimension: ASME B16.10
3. Flange End: ASME B16.5
4. Inspection and test: API 598

| Main Technical Parameter | | |
|---|------------------------------|----------------------------|
| Normal pressure | | 150PSI |
| Test pressure | Hydraulic Body test pressure | 2.06 |
| | Seat test | 1.57 |
| | Hermetical Sealing test | 0.6 |
| Max working temperature | | $\leq 429^{\circ}\text{C}$ |
| Applicable Medium: General oil, gas & water | | |



Ordering Information

VL - S - B2 - G - 1000 - 08
 I II III IV V VI

I Type of Item

VL Low Pressure Valves

II Material Grade

S SS316, CF8M CI Cast Iron
 FS Forged Steel CS Cast Steel
 B Brass

III Item

GA Gate Valve B1 1 PC Ball Valve
 GL Globe Valve B2 2 PC Ball Valve
 YS Y-Strainer B3 3 PC Ball Valve
 SC Swing Check Valve BL 3 Way Ball Valve L Port
 VC Vertical Check Valve BT 3 Way Ball Valve T Port
 WC Wafer Check Valve BMF Male x Female Mini Ball Valve
 DD Dual Disk BU Butterfly Valve

IV Connection Type

SW S/W G BSPP
 BW B/W N NPT
 R BSPT F Flanged End
 W Wafer L Lug

V Pressure

200 200 PSI 1000 1000 PSI
 300 300 PSI 150 ANSI 150# Flange Standard
 600 600 PSI 10K JIS 10K Flange Standard
 800 800 PSI PN16 PN16 Flange Standard

For Inch OD & Inch NB Sizes

VI Size

| | | | | | | | | |
|------|--------|--------|-------|--------|------|------|------|----|
| Size | 1/8" | 1/4" | 5/16" | 3/8" | 1/2" | 5/8" | 3/4" | 1" |
| Code | 02 | 04 | 05 | 06 | 08 | 10 | 12 | 16 |
| Size | 1 1/4" | 1 1/2" | 2" | 2 1/2" | 3" | 4" | 5" | 6" |
| Code | 20 | 24 | 32 | 40 | 48 | 64 | 80 | 96 |

VII Coating

(none) No additional Coating
 NI Nickel Plating



Dimension List:

| NPS | Part No | d | L | O | W | n - Øz | t | f |
|-----|-------------------|-----|-----|-----|-------|--------|------|---|
| 5" | VL-CI-GL-F-150-80 | 125 | 330 | 254 | 216 | 8-Ø22 | 23.9 | 2 |
| 6" | VL-CI-GL-F-150-96 | 150 | 355 | 279 | 241.5 | 8-Ø22 | 25.4 | 2 |

Part Number Reference:

| Part No | Description |
|-------------------|---|
| VL-CI-GL-F-150-80 | 5" 150# CI FLANGE END GLOBE VALVE RF, NON-RISING STEM, SS304 TRIM |
| VL-CI-GL-F-150-96 | 6" 150# CI FLANGE END GLOBE VALVE RF, NON-RISING STEM, SS304 TRIM |



Chuan Kok Hardware & Machinery Pte Ltd

Address: 1783 Geylang Bahru #01-02, Kallang Distripark Singapore 339708

Telephone Number: +65 6294 2566

Fax Number: +65 6295 7013

Email Address: info@chuankok.com

Website: www.chuankok.com

Business Registration Number: 198201577Z

Country of Registration: Singapore

Conditions of Use of Catalogue

The information in the catalogue are not binding and in order to improve distribution, Chuan Kok Hardware & Machinery Pte Ltd reserves the right to make any change including size and pressure ratings considered necessary at any time and without prior notice.

According to the copyright and the civil law, any reproduction (also partial) of figures and texts of this catalogue by means of electronic, mechanical, photocopies, microfilms, recordings or other is forbidden without Chuan Kok Hardware & Machinery Pte Ltd's authorization.

Catalogue Version: 0318