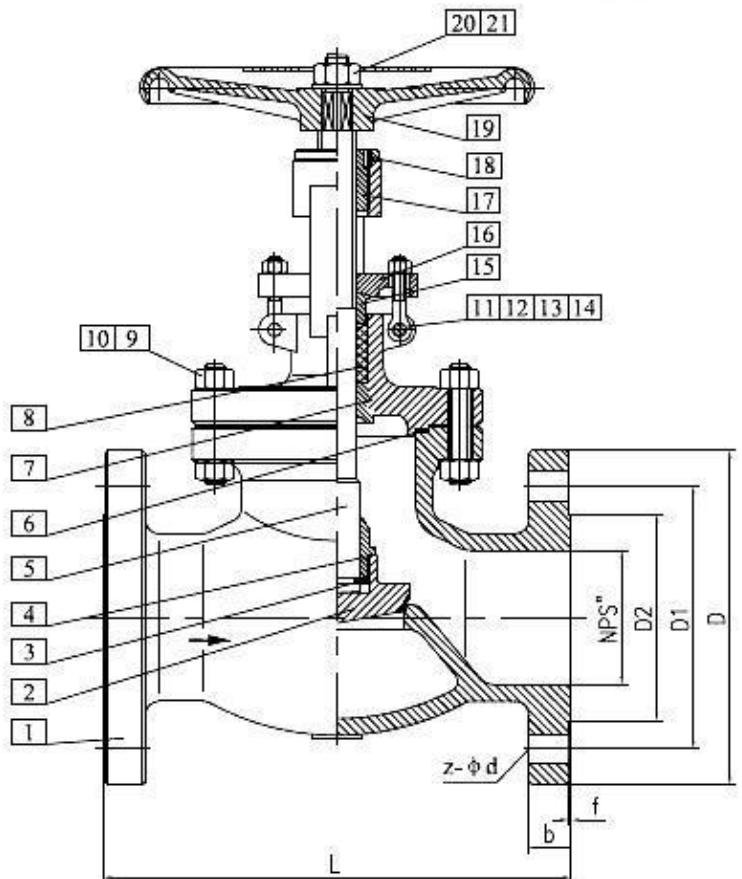


ANSI 150# STAINLESS STEEL FLANGED END GLOBE VALVE
Feature:

- ANSI 150# Flange Connection
- Size: 2" – 12"
- Valve Body Material: SS316
- Working Pressure: 150 PSI
- Applicable Medium: General oil , gas and water applications
- Temperature range: -29°C to 150°C


Material List:

No.	Part Name	Material
1	Body	A351 CF8M
2	Disc	A351 CF8M
3	Split Ring	A276 420
4	Disc Cover	A351 CF8M
5	Stem	SS316
6	Gasket	SS304 + Graphite
7	Bonnet	A351 CF8M
8	Packing	Graphite
9	Stud	A193 B8M
10	Nut	A194 8M
11	Pin	SS304
12	Gland Bolt	A193 B8M
13	Gland Nut	A194 8M
14	Gasket	SS304
15	Bushing	SS316
16	Gland	A351 CF8M
17	Stem Nut	ZcuA110Fe3
18	Screw	SS304
19	Handwheel	KTH330-08
20	H.W Lock Nut	A194 2H
19	Gasket	C.S





Technical Specifications

1. Basic design and manufacture according to BS 1873
2. Face to face dimension: ASME B16.10
3. Flange End: ASME B16.5 RF
4. Pressure temperature ratings: ASTM B16.34
5. Pressure test: API 598

Main Technical Parameter		
Normal pressure		150PSI
Test pressure	Shell test pressure	3.0
	Seal test	2.2
	Back seal test	2.2
	Gas-Tightness test	0.6
Max working temperature		-29 to 150 °C
Applicable Medium: General oil, gas & water		

Dimension List:

NPS	L	D	D1	D2	b	Z - Ød	f
2"	203	150	121	92	16.5	4-Ø19	2
2-1/2"	216	180	140	105	18	4-Ø19	2
3"	241	190	152.5	127	19.5	4-Ø19	2
4"	292	230	190.5	157	24.5	8-Ø19	2
5"	356	255	216	186	24.5	8-Ø22	2
6"	400	280	241.5	216	26	8-Ø22	2
8"	495	345	298.5	270	29	8-Ø22	2
10"	622	405	362	324	31	12-Ø25	2
12"	698	485	432	381	32.5	12-Ø25	2



Chuan Kok Hardware & Machinery Pte Ltd

Address: 1783 Geylang Bahru #01-02, Kallang Distripark Singapore 339708

Telephone Number: +65 6294 2566

Fax Number: +65 6295 7013

Email Address: info@chuankok.com

Website: www.chuankok.com

Business Registration Number: 198201577Z

Country of Registration: Singapore

Conditions of Use of Catalogue

The information in the catalogue are not binding and in order to improve distribution, Chuan Kok Hardware & Machinery Pte Ltd reserves the right to make any change including size and pressure ratings considered necessary at any time and without prior notice.

According to the copyright and the civil law, any reproduction (also partial) of figures and texts of this catalogue by means of electronic, mechanical, photocopies, microfilms, recordings or other is forbidden without Chuan Kok Hardware & Machinery Pte Ltd's authorization.

Catalogue Version: 0416