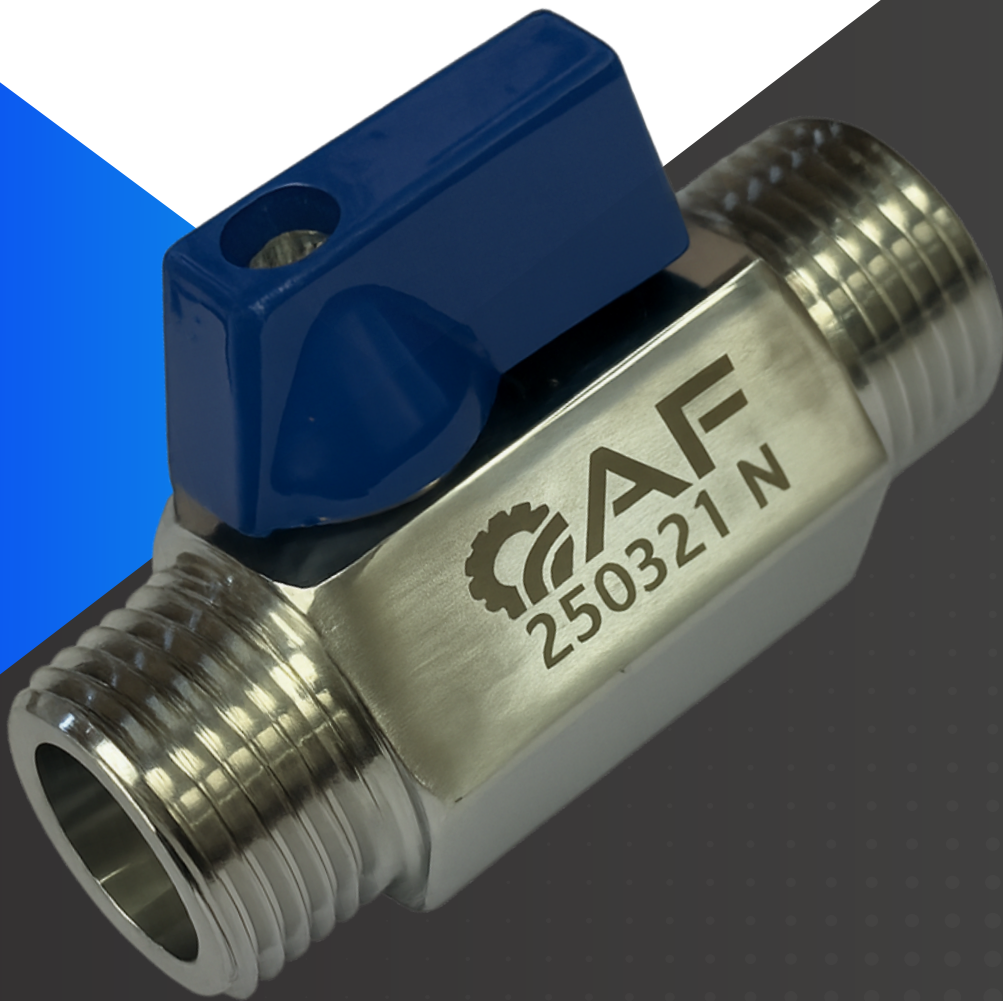


THREADED END

SS316 MxM MINI
BALL VALVES

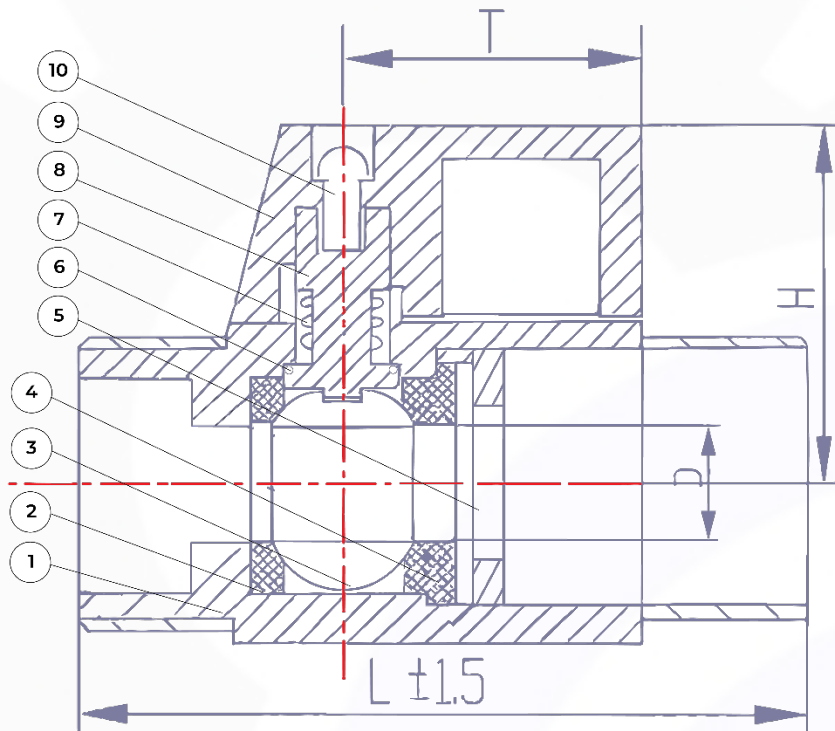


Features

- Reduced Port Design
- Solid Ball Design
- Quarter Turn Operation
- Sizes: 1/8" – 1" (DN6 - DN25)
- Working Pressure: 1000 PSI
- Threaded End: BSPP, NPT
- Applicable Medium: General oil, Gas & Water Applications
- Blow-out Proof Stem Design



SS316 M x M Mini Ball



Material List

No.	Part Name	Material
1	Body	SS316, CF8M
2	Seat	PTFE
3	Ball	SS316
4	Seat	PTFE
5	Cap	SS316
6	Thrust Washer	PTFE
7	O-Ring	Viton
8	Stem	SS316
9	Handle	SS201
10	Philips Screw	PVC

Dimension List

NPS	Connection	Impa Code	Part No	D	H	T	L	Weight (Kg)
1/8"	BSPP	-	VL-MI-MM-S-G-1000-02	5.3	27	22	50	0.081
1/4"	BSPP	-	VL-MI-MM-S-G-1000-04	7	27	21	50	0.081
3/8"	BSPP	-	VL-MI-MM-S-G-1000-06	7	27	21	50	0.084
1/2"	BSPP	-	VL-MI-MM-S-G-1000-08	9	29	23.5	58	0.105
3/4"	BSPP	-	VL-MI-MM-S-G-1000-12	12.5	32	23.5	71.5	0.105
1"	BSPP	-	VL-MI-MM-S-G-1000-16	15	35.5	23.5	83	0.284
1/8"	NPT	-	VL-MI-MM-S-N-1000-02	5.3	27	22	50	0.081
1/4"	NPT	-	VL-MI-MM-S-N-1000-04	7	27	21	50	0.081
3/8"	NPT	-	VL-MI-MM-S-N-1000-06	7	27	21	50	0.084
1/2"	NPT	-	VL-MI-MM-S-N-1000-08	9	29	23.5	58	0.105
3/4"	NPT	-	VL-MI-MM-S-N-1000-12	12.5	32	23.5	71.5	0.105
1"	NPT	-	VL-MI-MM-S-N-1000-16	15	35.5	23.5	83	0.284

Part Number Reference

Impa Code	Part No	Description
-	VL-MI-MM-S-G-1000-02	1/8"BSPP SS316 M x M MINI BALL VALVE 1000 PSI, MALE x MALE, SOLID BALL
-	VL-MI-MM-S-G-1000-04	1/4"BSPP SS316 M x M MINI BALL VALVE 1000 PSI, MALE x MALE, SOLID BALL
-	VL-MI-MM-S-G-1000-06	3/8"BSPP SS316 M x M MINI BALL VALVE 1000 PSI, MALE x MALE, SOLID BALL
-	VL-MI-MM-S-G-1000-08	1/2"BSPP SS316 M x M MINI BALL VALVE 1000 PSI, MALE x MALE, SOLID BALL
-	VL-MI-MM-S-G-1000-12	3/4"BSPP SS316 M x M MINI BALL VALVE 1000 PSI, MALE x MALE, SOLID BALL
-	VL-MI-MM-S-G-1000-16	1"BSPP SS316 M x M MINI BALL VALVE 1000 PSI, MALE x MALE, SOLID BALL
-	VL-MI-MM-S-N-1000-02	1/8"NPT SS316 M x M MINI BALL VALVE 1000 PSI, MALE x MALE, SOLID BALL
-	VL-MI-MM-S-N-1000-04	1/4"NPT SS316 M x M MINI BALL VALVE 1000 PSI, MALE x MALE, SOLID BALL
-	VL-MI-MM-S-N-1000-06	3/8"NPT SS316 M x M MINI BALL VALVE 1000 PSI, MALE x MALE, SOLID BALL
-	VL-MI-MM-S-N-1000-08	1/2"NPT SS316 M x M MINI BALL VALVE 1000 PSI, MALE x MALE, SOLID BALL
-	VL-MI-MM-S-N-1000-12	3/4"NPT SS316 M x M MINI BALL VALVE 1000 PSI, MALE x MALE, SOLID BALL
-	VL-MI-MM-S-N-1000-16	1"NPT SS316 M x M MINI BALL VALVE 1000 PSI, MALE x MALE, SOLID BALL



Conditions of Use of Catalogue:

The information in the catalogue are not binding and in order to improve distribution, AF Hydro reserves the right to make any change including size and pressure ratings considered necessary at any time and without prior notice. According to the copyright and the civil law, any reproduction (also partial) of figures and texts of this catalogue by means of electronic, mechanical, photocopies, microfilms, recordings or other is forbidden without AF Hydro's authorization.