

THREADED END

# STAINLESS STEEL MINI BALL VALVE

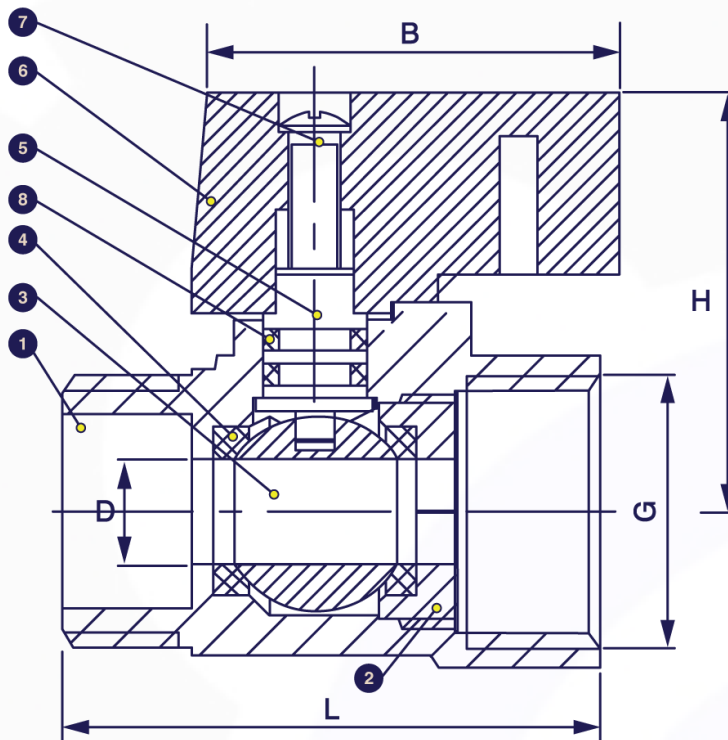


### Features

- Reduced Port Design
- Solid Ball Design
- Quarter Turn Operation
- Sizes: 1/8" – 1" (DN6 - DN25)
- Working Pressure: 1000 PSI
- Threaded End: BSPP, NPT
- Applicable Medium: General oil, Gas & Water Applications
- Blow-out Proof Stem Design



SS316 M x F Mini Ball Valves



### Material List

No.	Part Name	Material
1	Body	SS316, CF8M
2	Ball	SS316
3	Cap	SS316
4	Ball Seat	PTFE
5	Stem	SS304
6	Bolt	SS304
7	Lever	Aluminium

## Ordering Information

VL	-	S	-	BMF	-	G	-	1000	-	08
I		II		III		IV		V		VI

<b>I</b>	<b>Type of Item</b>		
VL	Low Pressure Valves		

<b>II</b>	<b>Material Grade</b>		
S	SS316, CF8M	CI	Cast Iron
FS	Forged Steel	CS	Cast Steel
B	Brass		

<b>III</b>	<b>Item</b>		
GA	Gate Valve	B1	1 PC Ball Valve
GL	Globe Valve	B2	2 PC Ball Valve
YS	Y-Strainer	B3	3 PC Ball Valve
SC	Swing Check Valve	BL	3 Way Ball Valve L Port
VC	Vertical Check Valve	BT	3 Way Ball Valve T Port
WC	Wafer Check Valve	BMF	Male x Female Mini Ball Valve
DD	Dual Disk	BU	Butterfly Valve

<b>IV</b>	<b>Connection Type</b>		
SW	S/W	G	BSPP
BW	B/W	N	NPT
R	BSPT	F	Flange End
W	Wafer	L	Lug

<b>V</b>	<b>Pressure</b>		
200	200 PSI	2000	2000 PSI
300	300 PSI	150	ANSI 150# Flange Standard
600	600 PSI	10K	JIS 10K Flange Standard
800	800 PSI	PN16	PN 16 Flange Standard
1000	1000 PSI		

## For Inch OD & Inch NB Sizes

<b>VI</b>	<b>Size</b>							
Size	1/8"	1/4"	5/16"	3/8"	1/2"	5/8"	3/4"	1"
Code	02	04	05	06	08	10	12	16
Size	1 1/4"	1 1/2"	2"	2 1/2"	3"	4"	5"	6"
Code	20	24	32	40	48	64	80	96

<b>VII</b>	<b>Coating</b>		
(None)	No Additional Coating		
NI	Nickel Plating		

### Dimension List

NPS	Connection	Impa Code	Part No	D	H	W	L	Weight (Kg)
1/8"	BSPP	-	VL-S-BMF-G-1000-02	5.3	27	22	42	0.081
1/4"	BSPP	-	VL-S-BMF-G-1000-04	7.5	27	22	42	0.081
3/8"	BSPP	-	VL-S-BMF-G-1000-06	7.5	27	22	43	0.084
1/2"	BSPP	-	VL-S-BMF-G-1000-08	9.2	28	22	48	0.105
3/4"	BSPP	-	VL-S-BMF-G-1000-12	12.5	33	22	54	0.105
1"	BSPP	-	VL-S-BMF-G-1000-16	15	34	22	65	0.284
1/8"	NPT	-	VL-S-BMF-N-1000-02	5.3	27	22	42	0.081
1/4"	NPT	-	VL-S-BMF-N-1000-04	7.5	27	22	42	0.081
3/8"	NPT	-	VL-S-BMF-N-1000-06	7.5	27	22	43	0.084
1/2"	NPT	-	VL-S-BMF-N-1000-08	9.2	28	22	48	0.105
3/4"	NPT	-	VL-S-BMF-N-1000-12	12.5	33	22	54	0.105
1"	NPT	-	VL-S-BMF-N-1000-16	15	34	22	65	0.284

### Part Number Reference

Impa Code	Part No	Description
-	VL-S-BMF-G-1000-02	1/8" BSPP SS316 M x F MINI BALL VALVE 1000 PSI, MALE x FEMALE, SOLID BALL
-	VL-S-BMF-G-1000-04	1/4" BSPP SS316 M x F MINI BALL VALVE 1000 PSI, MALE x FEMALE, SOLID BALL
-	VL-S-BMF-G-1000-06	3/8" BSPP SS316 M x F MINI BALL VALVE 1000 PSI, MALE x FEMALE, SOLID BALL
-	VL-S-BMF-G-1000-08	1/2" BSPP SS316 M x F MINI BALL VALVE 1000 PSI, MALE x FEMALE, SOLID BALL
-	VL-S-BMF-G-1000-12	3/4" BSPP SS316 M x F MINI BALL VALVE 1000 PSI, MALE x FEMALE, SOLID BALL
-	VL-S-BMF-G-1000-16	1" BSPP SS316 M x F MINI BALL VALVE 1000 PSI, MALE x FEMALE, SOLID BALL
-	VL-S-BMF-N-1000-02	1/8" NPT SS316 M x F MINI BALL VALVE 1000 PSI, MALE x FEMALE, SOLID BALL
-	VL-S-BMF-N-1000-04	1/4" NPT SS316 M x F MINI BALL VALVE 1000 PSI, MALE x FEMALE, SOLID BALL
-	VL-S-BMF-N-1000-06	3/8" NPT SS316 M x F MINI BALL VALVE 1000 PSI, MALE x FEMALE, SOLID BALL
-	VL-S-BMF-N-1000-08	1/2" NPT SS316 M x F MINI BALL VALVE 1000 PSI, MALE x FEMALE, SOLID BALL
-	VL-S-BMF-N-1000-12	3/4" NPT SS316 M x F MINI BALL VALVE 1000 PSI, MALE x FEMALE, SOLID BALL



## STAINLESS STEEL MINI BALL VALVE



**AF HYDRO**

### **Conditions of Use of Catalogue:**

The information in the catalogue are not binding and in order to improve distribution, AF Hydro reserves the right to make any change including size and pressure ratings considered necessary at any time and without prior notice. According to the copyright and the civil law, any reproduction (also partial) of figures and texts of this catalogue by means of electronic, mechanical, photocopies, microfilms, recordings or other is forbidden without AF Hydro's authorization.