

Low Pressure

Stainless Steel SPRING CHECK VALVES



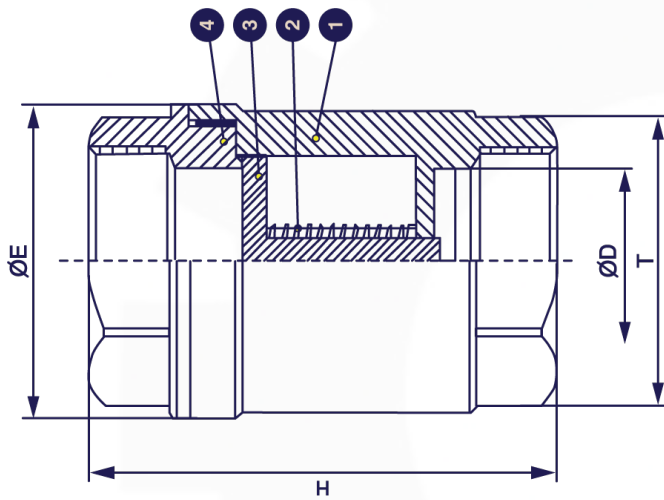
Features

- Spring type
- Material: SS316
- Seat: Metal/Viton
- Size: 1/4" – 2"
- Working Pressure: 1000 PSI
- Threaded End: BSPP, NPT
- Cracking Pressure: 1 Bar
- Applicable Medium: General oil, Gas & Water applications
- Temperature Range: -29°C to 150°C



Spring Check Valves

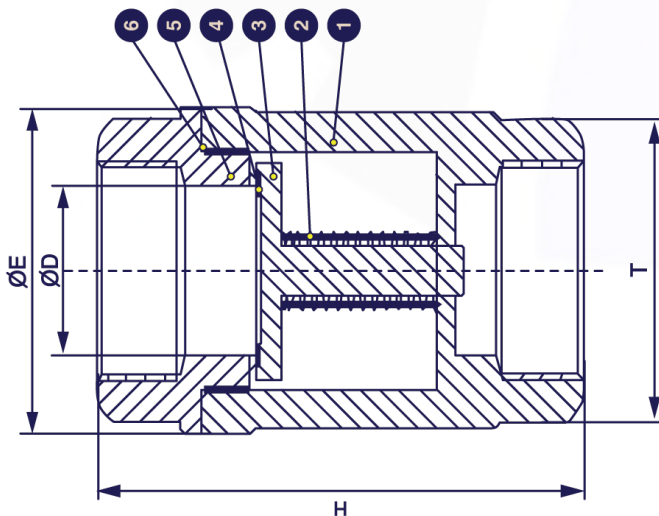
Spring Check Valve with Metal Seat



Material List

No.	Part Name	Material
1	Body	SS316, CF8M
2	Spring	SS316
3	Disc	SS316, CF8M
4	Cap	SS316, CF8M

Spring Check Valve with Viton Seat



Material List

No.	Part Name	Material
1	Body	SS316, CF8M
2	Spring	SS316
3	Disc	SS316, CF8M
4	Seat Ring - (O-Ring)	VITON
5	Cap	SS316, CF8M
6	Seal Gasket	PTFE

Ordering Information

VL	-	S	-	B2	-	G	-	1000	-	08
I		II		III		IV		V		VI

I	Type of Item		
VL	Low Pressure Valves		
II	Material Grade		
S	SS316, CF8M	CI	Cast Iron
FS	Forged Steel	CS	Cast Steel
B	Brass		
III	Item		
GA	Gate Valve	B1	1 PC Ball Valve
GL	Globe Valve	B2	2 PC Ball Valve
YS	Y-Strainer	B3	3 PC Ball Valve
SC	Swing Check Valve	BL	3 Way Ball Valve L Port
VC	Vertical Check Valve	BT	3 Way Ball Valve T Port
WC	Wafer Check Valve	BMF	Male x Female Mini Ball Valve
DD	Dual Disk	BU	Butterfly Valve
IV	Connection Type		
SW	S/W	G	BSPP
BW	B/W	N	NPT
R	BSPT	F	Flanged End
W	Wafer	L	Lug
V	Pressure		
200	200 PSI	1000	1000 PSI
300	300 PSI	150	ANSI 150# Flange Standard
600	600 PSI	10K	JIS 10K Flange Standard
800	800 PSI	PN16	PN16 Flange Standard

For Inch OD & Inch NB Sizes

VI	Size							
Size	1/8"	1/4"	5/16"	3/8"	1/2"	5/8"	3/4"	1"
Code	02	04	05	06	08	10	12	16
Size	1 1/4"	1 1/2"	2"	2 1/2"	3"	4"	5"	6"
Code	20	24	32	40	48	64	80	96

VII	Coating	
(none)	No additional Coating	
NI	Nickel Plating	

Dimension List

NPS	Connection	Impa Code	Part No	D	H	E	T	Weight (kg)
1/2"	BSPP	-	VL-S-VC-G-1000-08	14	62	39	27	0.25
			VL-S-VC-G-VI-1000-08					
3/4"	BSPP	-	VL-S-VC-G-1000-12	19	69	43	32	0.36
			VL-S-VC-G-VI-1000-12					
1"	BSPP	-	VL-S-VC-G-1000-16	24	82	48	38	0.48
			VL-S-VC-G-VI-1000-16					
1 1/4"	BSPP	-	VL-S-VC-G-1000-20	30	93	58	47	0.85
			VL-S-VC-G-VI-1000-20					
1 1/2"	BSPP	-	VL-S-VC-G-1000-24	38	102	71	55	1.32
			VL-S-VC-G-VI-1000-24					
2"	BSPP	-	VL-S-VC-G-1000-32	48	116	81	68	1.88
			VL-S-VC-G-VI-1000-32					
3"	BSPP	-	VL-S-VC-G-1000-48	78	170	140	98	-
			VL-S-VC-G-VI-1000-48					
1/2"	NPT	-	VL-S-VC-N-1000-08	14	62	39	27	0.25
			VL-S-VC-N-VI-1000-08					
3/4"	NPT	-	VL-S-VC-N-1000-12	19	69	43	32	0.36
			VL-S-VC-N-VI-1000-12					
1"	NPT	-	VL-S-VC-N-1000-16	24	82	48	38	0.48
			VL-S-VC-N-VI-1000-16					
1 1/4"	NPT	-	VL-S-VC-N-1000-20	30	93	58	47	0.85
			VL-S-VC-N-VI-1000-20					
1 1/2"	NPT	-	VL-S-VC-N-1000-24	38	102	71	55	1.32
			VL-S-VC-N-VI-1000-24					
2"	NPT	-	VL-S-VC-N-1000-32	48	116	81	68	1.88
			VL-S-VC-N-VI-1000-32					
3"	NPT	-	VL-S-VC-N-1000-48	78	170	140	98	-
			VL-S-VC-N-VI-1000-48					

Spring Check Valve with Metal Seat Part Number Reference

Impa Code	Part No	Description
-	VL-S-VC-G-1000-04	1/4"BSPP SS316 SPRING CHECK VALVE 1000 PSI,CRACKING PRESSURE:1 BAR,METAL SEAT
-	VL-S-VC-G-1000-06	3/8"BSPP SS316 SPRING CHECK VALVE 1000 PSI,CRACKING PRESSURE:1 BAR,METAL SEAT
-	VL-S-VC-G-1000-08	1/2"BSPP SS316 SPRING CHECK VALVE (1000 PSI,CRACKING PRESSURE:1 BAR,METAL SEAT
-	VL-S-VC-G-1000-12	3/4"BSPP SS316 SPRING CHECK VALVE 1000 PSI,CRACKING PRESSURE:1 BAR,METAL SEAT
-	VL-S-VC-G-1000-16	1"BSPP SS316 SPRING CHECK VALVE 1000 PSI,CRACKING PRESSURE:1 BAR,METAL SEAT
-	VL-S-VC-G-1000-20	1 1/4"BSPP SS316 SPRING CHECK VALVE 1000 PSI,CRACKING PRESSURE:1 BAR,METAL SEAT
-	VL-S-VC-G-1000-24	1 1/2"BSPP SS316 SPRING CHECK VALVE 1000 PSI,CRACKING PRESSURE:1 BAR,METAL SEAT
-	VL-S-VC-G-1000-32	2"BSPP SS316 SPRING CHECK VALVE 1000 PSI,CRACKING PRESSURE:1 BAR,METAL SEAT
-	VL-S-VC-N-1000-04	1/4"NPT SS316 SPRING CHECK VALVE 1000 PSI,CRACKING PRESSURE:1 BAR,METAL SEAT
-	VL-S-VC-N-1000-06	3/8"NPT SS316 SPRING CHECK VALVE 1000 PSI,CRACKING PRESSURE:1 BAR,METAL SEAT
-	VL-S-VC-N-1000-08	1/2"NPT SS316 SPRING CHECK VALVE 1000 PSI,CRACKING PRESSURE:1 BAR,METAL SEAT
-	VL-S-VC-N-1000-12	3/4"NPT SS316 SPRING CHECK VALVE 1000 PSI,CRACKING PRESSURE:1 BAR,METAL SEAT
-	VL-S-VC-N-1000-16	1"NPT SS316 SPRING CHECK VALVE 1000 PSI,CRACKING PRESSURE:1 BAR,METAL SEAT
-	VL-S-VC-N-1000-20	1 1/4"NPT SS316 SPRING CHECK VALVE 1000 PSI,CRACKING PRESSURE:1 BAR,METAL SEAT
-	VL-S-VC-N-1000-24	1 1/2"NPT SS316 SPRING CHECK VALVE 1000 PSI,CRACKING PRESSURE:1 BAR,METAL SEAT
-	VL-S-VC-N-1000-32	2"NPT SS316 SPRING CHECK VALVE 1000 PSI,CRACKING PRESSURE:1 BAR,METAL SEAT

Spring Check Valve with Viton Seat Part Number Reference

Impa Code	Part No	Description
-	VL-S-VC-G-VI-1000-04	1/4"BSPP SS316 SPRING CHECK VALVE 1000 PSI,CRACKING PRESSURE:1 BAR,VITON SEAT
-	VL-S-VC-G-VI-1000-06	3/8"BSPP SS316 SPRING CHECK VALVE 1000 PSI,CRACKING PRESSURE:1 BAR,VITON SEAT
-	VL-S-VC-G-VI-1000-08	1/2"BSPP SS316 SPRING CHECK VALVE 1000 PSI,CRACKING PRESSURE:1 BAR,VITON SEAT
-	VL-S-VC-G-VI-1000-12	3/4"BSPP SS316 SPRING CHECK VALVE 1000 PSI,CRACKING PRESSURE:1 BAR,VITON SEAT
-	VL-S-VC-G-VI-1000-16	1"BSPP SS316 SPRING CHECK VALVE 1000 PSI,CRACKING PRESSURE:1 BAR,VITON SEAT
-	VL-S-VC-G-VI-1000-20	1 1/4"BSPP SS316 SPRING CHECK VALVE 1000 PSI,CRACKING PRESSURE:1 BAR,VITON SEAT
-	VL-S-VC-G-VI-1000-24	1 1/2"BSPP SS316 SPRING CHECK VALVE 1000 PSI,CRACKING PRESSURE:1 BAR,VITON SEAT
-	VL-S-VC-G-VI-1000-32	2"BSPP SS316 SPRING CHECK VALVE 1000 PSI,CRACKING PRESSURE:1 BAR,VITON SEAT
-	VL-S-VC-N-VI-1000-04	1/4"NPT SS316 SPRING CHECK VALVE 1000 PSI,CRACKING PRESSURE:1 BAR,VITON SEAT
-	VL-S-VC-N-VI-1000-06	3/8"NPT SS316 SPRING CHECK VALVE 1000 PSI,CRACKING PRESSURE:1 BAR,VITON SEAT
-	VL-S-VC-N-VI-1000-08	1/2"NPT SS316 SPRING CHECK VALVE 1000 PSI,CRACKING PRESSURE:1 BAR,VITON SEAT
-	VL-S-VC-N-VI-1000-12	3/4"NPT SS316 SPRING CHECK VALVE 1000 PSI,CRACKING PRESSURE:1 BAR,VITON SEAT
-	VL-S-VC-N-VI-1000-16	1"NPT SS316 SPRING CHECK VALVE 1000 PSI,CRACKING PRESSURE:1 BAR,VITON SEAT
-	VL-S-VC-N-VI-1000-20	1 1/4"NPT SS316 SPRING CHECK VALVE 1000 PSI,CRACKING PRESSURE:1 BAR,VITON SEAT
-	VL-S-VC-N-VI-1000-24	1 1/2"NPT SS316 SPRING CHECK VALVE 1000 PSI,CRACKING PRESSURE:1 BAR,VITON SEAT
-	VL-S-VC-N-VI-1000-32	2"NPT SS316 SPRING CHECK VALVE 1000 PSI,CRACKING PRESSURE:1 BAR,VITON SEAT



AF HYDRO

Conditions of Use of Catalogue:

The information in the catalogue are not binding and in order to improve distribution, AF Hydro reserves the right to make any change including size and pressure ratings considered necessary at any time and without prior notice. According to the copyright and the civil law, any reproduction (also partial) of figures and texts of this catalogue by means of electronic, mechanical, photocopies, microfilms, recordings or other is forbidden without AF Hydro's authorization.