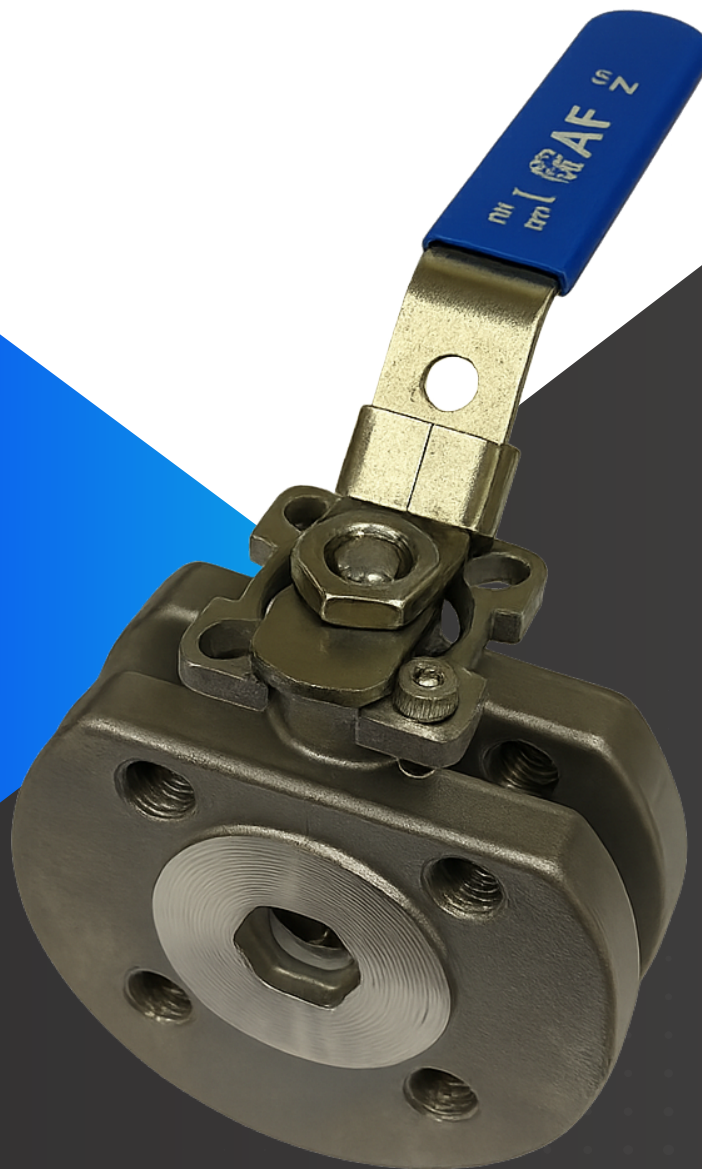


PN16 / PN40

SS316 WAFER TYPE BALL VALVES

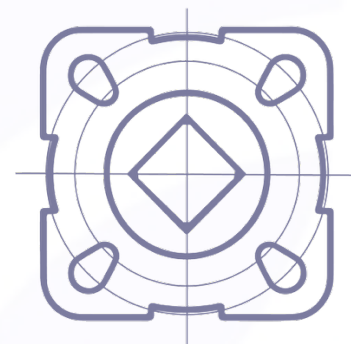
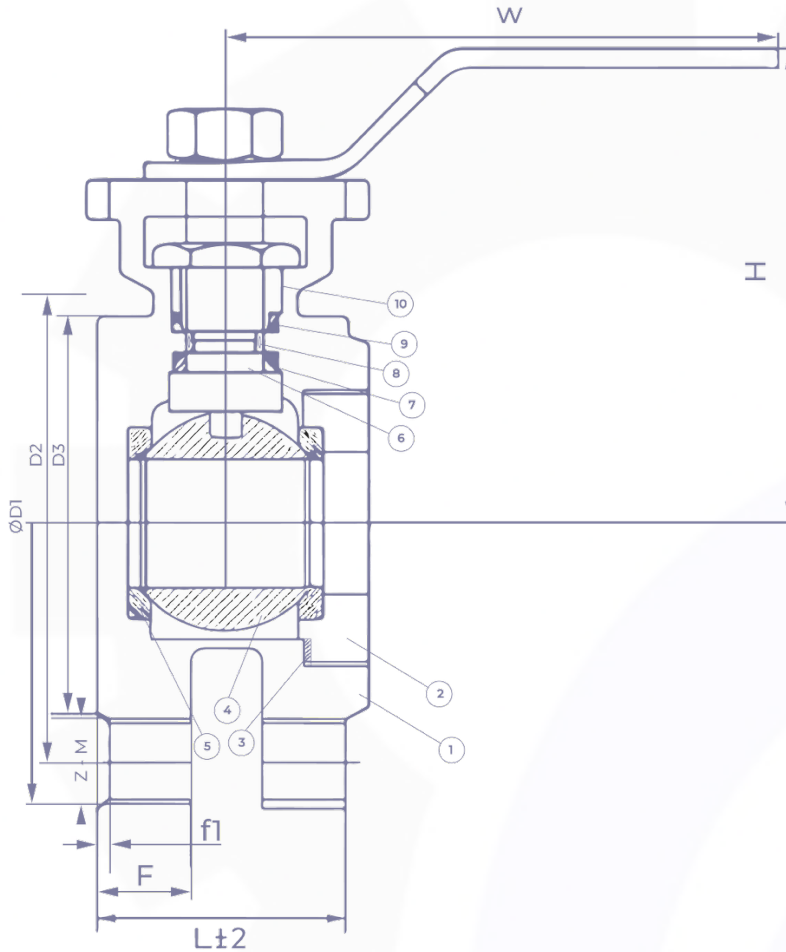


Features

- Wafer Type
- Full Bored, Quarter Turn Operation
- Size: 1/2" - 4" (DN15 – DN100)
- Working Pressure: PN16, PN40
- Material: CF8M
- Applicable Medium: General oil, gas & water applications
- Temperature Range: -20°C to 120°C



1 PC Wafer Type Ball Valve



ISO5211

Material List

No.	Part Name	Material
1	Body	CF8M
2	Cap	CF8M
3	Joint Gasket	PTFE
4	Ball	SS316
5	Seat	PTFE
6	Stem	F316
7	Thrust Washer	PTFE
8	O-Ring	FKM
9	Packing	PTFE
10	Gland	SS316

Dimension List

NPS	Connection	Part No	DN	D1	D2	D3	L ± 2	F	f1	Z-M	W	H
1/2"	Wafer	VL-B-S-T-F-08	15	95	65	45	42	16	2	4-12	130	79
3/4"	Wafer	VL-B-S-T-F-12	20	105	75	58	45	18	2	4-12	130	82
1"	Wafer	VL-B-S-T-F-16	25	115	85	68	51	18	2	4-12	165	94
1 1/4"	Wafer	VL-B-S-T-F-20	32	140	100	78	59	18	2	4-16	165	100
1 1/2"	Wafer	VL-B-S-T-F-24	40	150	110	88	64	18	2	4-16	185	118
2"	Wafer	VL-B-S-T-F-32	50	165	125	102	79	20	2	4-16	185	125
2 1/2"	Wafer	VL-B-S-T-F-40	65	185	145	122	112	18	3	4-16	290	146
3"	Wafer	VL-B-S-T-F-48	80	200	160	138	121	20	3	8-16	325	167
4"	Wafer	VL-B-S-T-F-64	100	220	180	158	152	20	3	8-16	325	180

Part Number Reference

Part No	Description
VL-B-S-T-F-08	1/2" SS316 1 PC WAFER TYPE BALL VALVE
VL-B-S-T-F-12	3/4" SS316 1 PC WAFER TYPE BALL VALVE
VL-B-S-T-F-16	1" SS316 1 PC WAFER TYPE BALL VALVE
VL-B-S-T-F-20	1 1/4" SS316 1 PC WAFER TYPE BALL VALVE
VL-B-S-T-F-24	1 1/2" SS316 1 PC WAFER TYPE BALL VALVE
VL-B-S-T-F-32	2" SS316 1 PC WAFER TYPE BALL VALVE
VL-B-S-T-F-40	2 1/2" SS316 1 PC WAFER TYPE BALL VALVE
VL-B-S-T-F-48	3" SS316 1 PC WAFER TYPE BALL VALVE
VL-B-S-T-F-64	4" SS316 1 PC WAFER TYPE BALL VALVE



Conditions of Use of Catalogue:

The information in the catalogue are not binding and in order to improve distribution, AF Hydro reserves the right to make any change including size and pressure ratings considered necessary at any time and without prior notice. According to the copyright and the civil law, any reproduction (also partial) of figures and texts of this catalogue by means of electronic, mechanical, photocopies, microfilms, recordings or other is forbidden without AF Hydro's authorization.