

JIS 10K

Stainless Steel GATE VALVES



Features

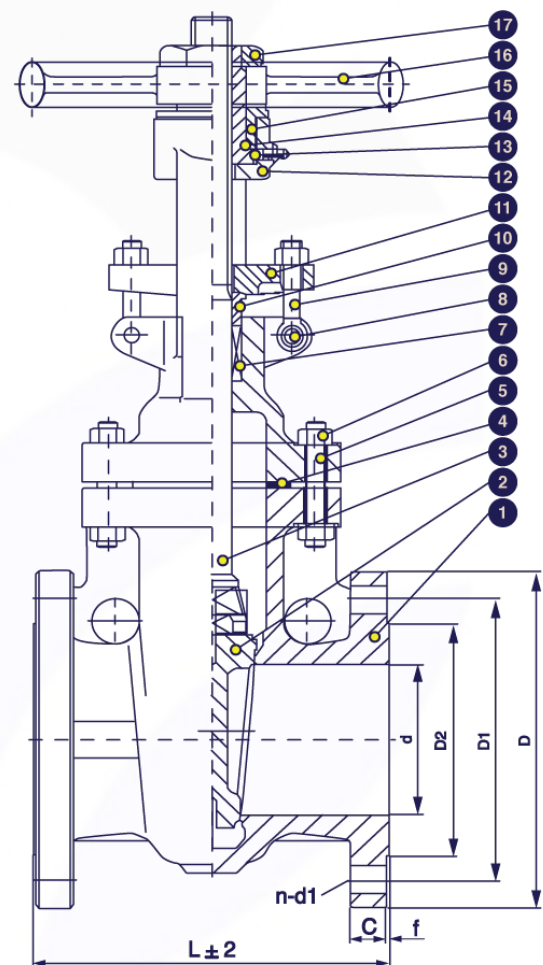
- JIS 10K Flange Connection
- Size: 1" – 4" (DN25 – DN100)
- Valve Body Material: SS316
- Working Pressure: 10kg/cm²
- Applicable Medium: General oil, gas and water applications
- Temperature Range: ≤ 425°C



**JIS 10K SS316
Flange End Gate Valves**

Material List

| No. | Part Name | Material |
|-----|--------------|------------------|
| 1 | Body | A351 CF8M |
| 2 | Wedge | A351 CF8M |
| 3 | Stem | SS316 |
| 4 | Gasket | SS316 + Graphite |
| 5 | Bolt | A193 B8M |
| 6 | Nut | A194 B8M |
| 7 | Packing | Graphite |
| 8 | Pin | SS304 |
| 9 | Eye Bolt | A193 B8M |
| 10 | Gland Nut | SS316 |
| 11 | Gland Flange | A351 CF8M |
| 12 | Bonnet | A351 CF8M |
| 13 | Nipple | assembly |
| 14 | Stem Nut | A439 D2 |
| 15 | Nut | AISI 1035 |
| 16 | Handwheel | A216 WCB |
| 17 | Lock Nut | AISI 1035 |



Technical Specifications

1. Basic design and manufacture according to API 600
2. Face to face dimension: ASME B16.10
3. Flange End: JIS 2238
4. Inspection and test: JIS F7400

| Main Technical Parameter | | | |
|---|---------------------|---------|-----|
| Normal pressure | | 10K | |
| Test pressure | Shell test pressure | 3.0 | MPa |
| | Seal test | 2.2 | |
| | Back seal test | 2.2 | |
| | Gas test | 0.6 | |
| Max working temperature | | ≤ 425°C | |
| Applicable Medium: General oil, gas & water | | | |

Ordering Information

| | | | | | | | | | | |
|----|---|----|---|-----|---|----|---|-----|---|----|
| VL | - | S | - | GA | - | F | - | 10K | - | 16 |
| I | | II | | III | | IV | | V | | VI |

| | | | |
|----------|---------------------|--|--|
| I | Type of Item | | |
| VL | Low Pressure Valves | | |

| | | | |
|-----------|-----------------------|----|------------|
| II | Material Grade | | |
| S | SS316, CF8M | CI | Cast Iron |
| FS | Forged Steel | CS | Cast Steel |
| B | Brass | | |

| | | | |
|------------|----------------------|-----|-------------------------------|
| III | Item | | |
| GA | Gate Valve | B1 | 1 PC Ball Valve |
| GL | Globe Valve | B2 | 2 PC Ball Valve |
| YS | Y-Strainer | B3 | 3 PC Ball Valve |
| SC | Swing Check Valve | BL | 3 Way Ball Valve L Port |
| VC | Vertical Check Valve | BT | 3 Way Ball Valve T Port |
| WC | Wafer Check Valve | BMF | Male x Female Mini Ball Valve |
| DD | Dual Disk | BU | Butterfly Valve |

| | | | |
|-----------|------------------------|---|------------|
| IV | Connection Type | | |
| SW | S/W | G | BSPP |
| BW | B/W | N | NPT |
| R | BSPT | F | Flange End |
| W | Wafer | L | Lug |

| | | | |
|----------|-----------------|------|---------------------------|
| V | Pressure | | |
| 200 | 200 PSI | 2000 | 2000 PSI |
| 300 | 300 PSI | 150 | ANSI 150# Flange Standard |
| 600 | 600 PSI | 10K | JIS 10K Flange Standard |
| 800 | 800 PSI | PN16 | PN 16 Flange Standard |
| 1000 | 1000 PSI | | |

For Inch OD & Inch NB Sizes

| | | | | | | | | |
|-----------|-------------|--------|-------|--------|------|------|------|----|
| VI | Size | | | | | | | |
| Size | 1/8" | 1/4" | 5/16" | 3/8" | 1/2" | 5/8" | 3/4" | 1" |
| Code | 02 | 04 | 05 | 06 | 08 | 10 | 12 | 16 |
| Size | 1 1/4" | 1 1/2" | 2" | 2 1/2" | 3" | 4" | 5" | 6" |
| Code | 20 | 24 | 32 | 40 | 48 | 64 | 80 | 96 |

| | | | |
|------------|-----------------------|--|--|
| VII | Coating | | |
| (None) | No Additional Coating | | |
| NI | Nickel Plating | | |

Dimension List

| NPS | Part No | D | D1 | D2 | L | C | f | n-d1 | Weight (Kg) |
|--------|------------------|-----|-------|-----|-----|------|---|-------|-------------|
| 1" | VL-S-GA-F-10K-16 | 125 | 90 | 67 | 127 | 14 | 1 | 4-Ø16 | 5.50 |
| 1 1/4" | VL-S-GA-F-10K-20 | 135 | 100 | 76 | 140 | 16 | 2 | 4-Ø16 | 8.75 |
| 1 1/2" | VL-S-GA-F-10K-24 | 140 | 107 | 81 | 165 | 16 | 2 | 4-Ø16 | 9.57 |
| 2" | VL-S-GA-F-10K-32 | 150 | 121 | 92 | 178 | 16.5 | 2 | 4-Ø19 | 13.40 |
| 2-1/2" | VL-S-GA-F-10K-40 | 180 | 140 | 105 | 190 | 18 | 2 | 4-Ø19 | 17.25 |
| 3" | VL-S-GA-F-10K-48 | 190 | 152.5 | 127 | 203 | 19.5 | 2 | 4-Ø19 | 20.50 |
| 4" | VL-S-GA-F-10K-64 | 230 | 190.5 | 157 | 229 | 24.5 | 2 | 8-Ø19 | 31.50 |

Part Number Reference

| Part No | Description |
|------------------|--|
| VL-S-GA-F-10K-16 | 1"JIS10K SS316 FLANGE END GATE VALVE RF, RISING STEM, HANDWHEEL OPERATED |
| VL-S-GA-F-10K-20 | 1 1/4"JIS10K SS316 FLANGE END GATE VALVE RF, RISING STEM, HANDWHEEL OPERATED |
| VL-S-GA-F-10K-24 | 1 1/2"JIS10K SS316 FLANGE END GATE VALVE RF, RISING STEM, HANDWHEEL OPERATED |
| VL-S-GA-F-10K-32 | 2"JIS10K SS316 FLANGE END GATE VALVE, RISING STEM, HANDWHEEL OPERATED |
| VL-S-GA-F-10K-40 | 2 1/2" JIS10K SS316 FLANGE END GATE VALVE, RISING STEM, HANDWHEEL OPERATED |
| VL-S-GA-F-10K-48 | 3"JIS10K SS316 FLANGE END GATE VALVE, RISING STEM, HANDWHEEL OPERATED |
| VL-S-GA-F-10K-64 | 4"JIS10K SS316 FLANGE END GATE VALVE, RISING STEM, HANDWHEEL OPERATED |



AF HYDRO

Conditions of Use of Catalogue:

The information in the catalogue are not binding and in order to improve distribution, AF Hydro reserves the right to make any change including size and pressure ratings considered necessary at any time and without prior notice. According to the copyright and the civil law, any reproduction (also partial) of figures and texts of this catalogue by means of electronic, mechanical, photocopies, microfilms, recordings or other is forbidden without AF Hydro's authorization.