

LUG TYPE

DUCTILE IRON BUTTERFLY VALVE

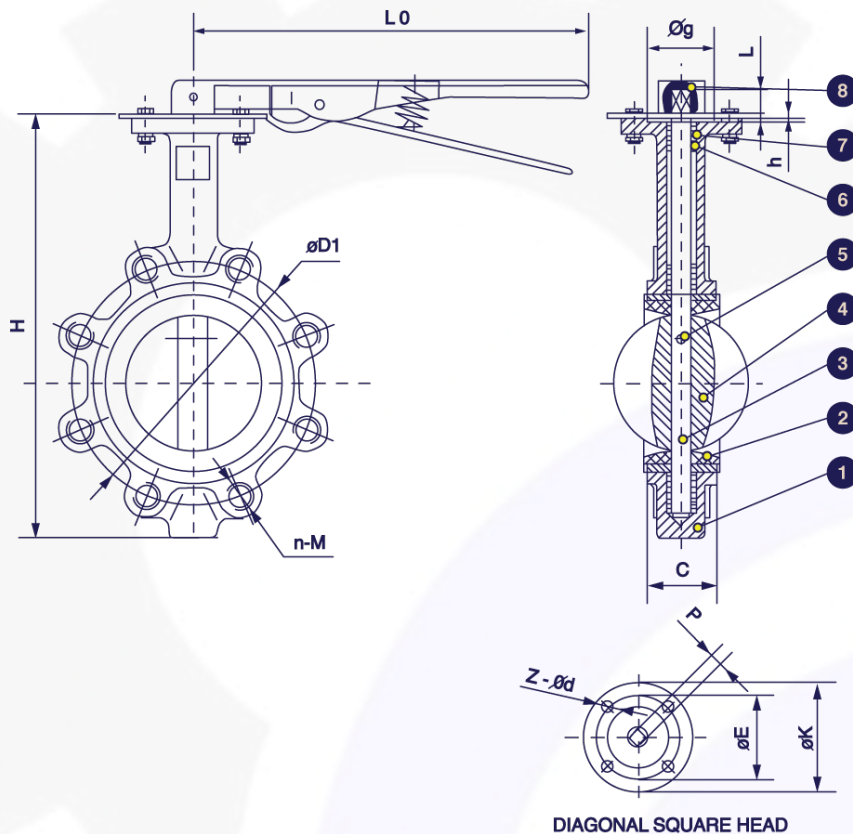


Features

- ANSI 150# Lug Type Connection
- Size: 1 1/2" – 6" (DN40 - DN150)
- Valve Body Material: Ductile Iron
- Working Pressure: 150 PSI
- Applicable Medium: General oil, gas and water applications
- Temperature Range: -30°C - 120°C



Lug Type Butterfly Valves



Material List

No.	Part Name	Material
1	Body	Ductile Iron
2	Seat	EPDM
3	Shaft	SS410
4	Disc	CF8
5	Pin	SS304
6	Bushing	Polymers
7	Oring	NBR
8	Handle Lever	Ductile Iron

Technical Specifications

- Basic design and manufacture according to API 609
- Face to face dimension: API609
- Inspection and test: API 598

Main Technical Parameter			
Nominal Pressure		1.6	MPa
Test Pressure	Shell	2.4	
	Sealing	1.76	
Working Temperature		-30 - 120	°C
Applicable Medium: General oil, gas & water			

Dimension List

Size		H	C	L	P	LO	Upper Flange					ANSI 150	
DN	Inches						K	E	z-d	g	h	D1	n-M
40	1 1/2"	214	33.4	24	9	220	65	50	4-7	35	2.2	99	4-1/2"
50	2"	242	35	27	9	220	65	50	4-7	35	2.2	120.5	4-5/8"
65	2 1/2"	265	45	24	9	220	65	50	4-7	35	2.2	139.5	4-5/8"
80	3"	278	45.5	24	9	220	65	50	4-7	35	2.2	152.5	4-5/8"
100	4"	315	51	25	11	255	90	70	4-9	36	2.2	190.5	8-5/8"
125	5"	343	54	25	14	260	90	70	4-9	36	2.2	216	8-3/4"
150	6"	369	55	27	14	260	90	70	4-9	36	2.2	241.5	8-3/4"

Part Number Reference

Part No	Description
VL-CI-BU-L-150-24	1 1/2" 150# DI BUTTERFLY VALVE LUG TYPE, 4 HOLE, DUCTILE IRON BODY, EPDM SEAT, DISC SS304, SHAFT SS410, HANDLE OPERATOR
VL-CI-BU-L-150-32	2" 150# DI BUTTERFLY VALVE LUG TYPE, 4 HOLE, DUCTILE IRON BODY, EPDM SEAT, DISC SS304, SHAFT SS410, HANDLE OPERATOR
VL-CI-BU-L-150-40	2 1/2" 150# DI BUTTERFLY VALVE LUG TYPE, 4 HOLE, DUCTILE IRON BODY, EPDM SEAT, DISC SS304, SHAFT SS410, HANDLE OPERATOR
VL-CI-BU-L-150-48	3" 150# DI BUTTERFLY VALVE LUG TYPE, 4 HOLE, DUCTILE IRON BODY, EPDM SEAT, DISC SS304, SHAFT SS410, HANDLE OPERATOR
VL-CI-BU-L-150-64	4" 150# DI BUTTERFLY VALVE LUG TYPE, 4 HOLE, DUCTILE IRON BODY, EPDM SEAT, DISC SS304, SHAFT SS410, HANDLE OPERATOR
VL-CI-BU-L-150-80	5" 150# DI BUTTERFLY VALVE LUG TYPE, 4 HOLE, DUCTILE IRON BODY, EPDM SEAT, DISC SS304, SHAFT SS410, HANDLE OPERATOR
VL-CI-BU-L-150-96	6" 150# DI BUTTERFLY VALVE LUG TYPE, 4 HOLE, DUCTILE IRON BODY, EPDM SEAT, DISC SS304, SHAFT SS410, HANDLE OPERATOR



Conditions of Use of Catalogue:

The information in the catalogue are not binding and in order to improve distribution, AF Hydro reserves the right to make any change including size and pressure ratings considered necessary at any time and without prior notice. According to the copyright and the civil law, any reproduction (also partial) of figures and texts of this catalogue by means of electronic, mechanical, photocopies, microfilms, recordings or other is forbidden without AF Hydro's authorization.