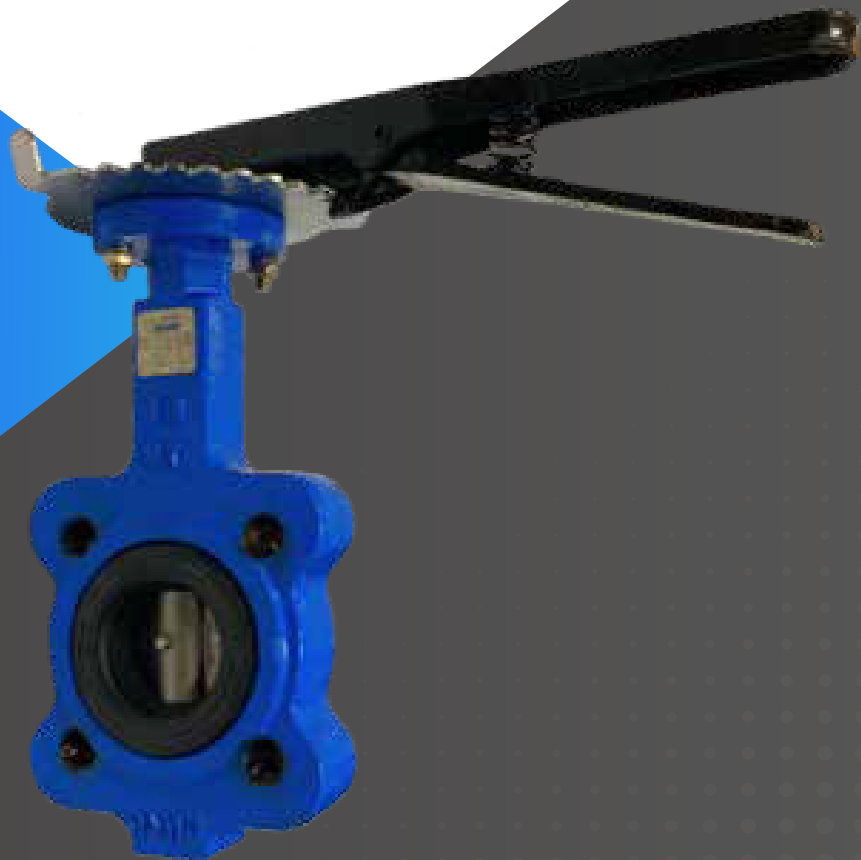


ANSI 150# Cast Iron

# Lug Type

# BUTTERFLY VALVES

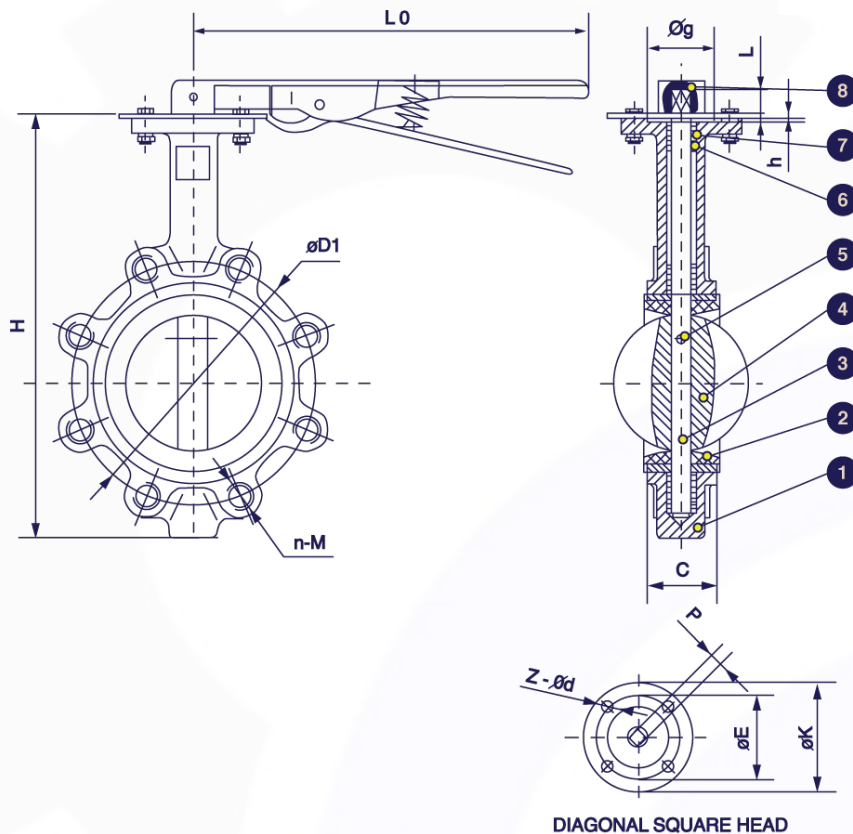


## Features

- ANSI 150# Lug Type Connection
- Size: 1 1/2" – 6" (DN40 - DN150)
- Valve Body Material: Cast Iron
- Working Pressure: 150 PSI
- Applicable Medium: General oil, gas and water applications
- Temperature Range: -30°C - 120°C



Lug Type Butterfly Valves



## Material List

| No. | Part Name    | Material     |
|-----|--------------|--------------|
| 1   | Body         | Cast Iron    |
| 2   | Seat         | EPDM         |
| 3   | Shaft        | SS410        |
| 4   | Disc         | CF8          |
| 5   | Pin          | SS304        |
| 6   | Bushing      | Polymers     |
| 7   | Oring        | NBR          |
| 8   | Handle Lever | Ductile Iron |

## Technical Specifications

1. Basic design and manufacture according to API 609
2. Face to face dimension: API609
3. Inspection and test: API 598

| Main Technical Parameter                    |         |           |     |
|---|---------|-----------|-----|
| Nominal Pressure                            |         | 1.6       | MPa |
| Test Pressure                               | Shell   | 2.4       |     |
|   | Sealing | 1.76      |     |
| Working Temperature                         |         | -30 - 120 | °C  |
| Applicable Medium: General oil, gas & water |         |           |     |

## Ordering Information

|    |   |    |   |     |   |    |   |     |   |    |
|----|---|----|---|-----|---|----|---|-----|---|----|
| VL | - | CI | - | BU  | - | L  | - | 150 | - | 24 |
| I  |   | II |   | III |   | IV |   | V   |   | VI |

|          |                     |  |  |
|----------|---------------------|--|--|
| <b>I</b> | <b>Type of Item</b> |  |  |
| VL       | Low Pressure Valves |  |  |

|           |                       |    |            |
|-----------|-----------------------|----|------------|
| <b>II</b> | <b>Material Grade</b> |    |            |
| S         | SS316, CF8M           | CI | Cast Iron  |
| FS        | Forged Steel          | CS | Cast Steel |
| B         | Brass                 |    |            |

|            |                      |     |                               |
|------------|----------------------|-----|-------------------------------|
| <b>III</b> | <b>Item</b>          |     |                               |
| GA         | Gate Valve           | B1  | 1 PC Ball Valve               |
| GL         | Globe Valve          | B2  | 2 PC Ball Valve               |
| YS         | Y-Strainer           | B3  | 3 PC Ball Valve               |
| SC         | Swing Check Valve    | BL  | 3 Way Ball Valve L Port       |
| VC         | Vertical Check Valve | BT  | 3 Way Ball Valve T Port       |
| WC         | Wafer Check Valve    | BMF | Male x Female Mini Ball Valve |
| DD         | Dual Disk            | BU  | Butterfly Valve               |

|           |                        |   |            |
|-----------|------------------------|---|------------|
| <b>IV</b> | <b>Connection Type</b> |   |            |
| SW        | S/W                    | G | BSPP       |
| BW        | B/W                    | N | NPT        |
| R         | BSPT                   | F | Flange End |
| W         | Wafer                  | L | Lug        |

|          |                 |      |                           |
|----------|-----------------|------|---------------------------|
| <b>V</b> | <b>Pressure</b> |      |                           |
| 200      | 200 PSI         | 2000 | 2000 PSI                  |
| 300      | 300 PSI         | 150  | ANSI 150# Flange Standard |
| 600      | 600 PSI         | 10K  | JIS 10K Flange Standard   |
| 800      | 800 PSI         | PN16 | PN 16 Flange Standard     |
| 1000     | 1000 PSI        |      |                           |

## For Inch OD & Inch NB Sizes

|           |             |        |       |        |      |      |      |    |
|-----------|-------------|--------|-------|--------|------|------|------|----|
| <b>VI</b> | <b>Size</b> |        |       |        |      |      |      |    |
| Size      | 1/8"        | 1/4"   | 5/16" | 3/8"   | 1/2" | 5/8" | 3/4" | 1" |
| Code      | 02          | 04     | 05    | 06     | 08   | 10   | 12   | 16 |
| Size      | 1 1/4"      | 1 1/2" | 2"    | 2 1/2" | 3"   | 4"   | 5"   | 6" |
| Code      | 20          | 24     | 32    | 40     | 48   | 64   | 80   | 96 |

|            |                       |  |  |
|------------|-----------------------|--|--|
| <b>VII</b> | <b>Coating</b>        |  |  |
| (None)     | No Additional Coating |  |  |
| NI         | Nickel Plating        |  |  |

### Dimension List

| Size |        | H   | C    | L  | P  | LO  | Upper Flange |    |     |    |     | ANSI 150 |        |
|------|--------|-----|------|----|----|-----|--------------|----|-----|----|-----|----------|--------|
| DN   | Inches |     |      |    |    |     | K            | E  | z-d | g  | h   | D1       | n-M    |
| 40   | 1 1/2" | 214 | 33.4 | 24 | 9  | 220 | 65           | 50 | 4-7 | 35 | 2.2 | 99       | 4-1/2" |
| 50   | 2"     | 242 | 35   | 27 | 9  | 220 | 65           | 50 | 4-7 | 35 | 2.2 | 120.5    | 4-5/8" |
| 65   | 2 1/2" | 265 | 45   | 24 | 9  | 220 | 65           | 50 | 4-7 | 35 | 2.2 | 139.5    | 4-5/8" |
| 80   | 3"     | 278 | 45.5 | 24 | 9  | 220 | 65           | 50 | 4-7 | 35 | 2.2 | 152.5    | 4-5/8" |
| 100  | 4"     | 315 | 51   | 25 | 11 | 255 | 90           | 70 | 4-9 | 36 | 2.2 | 190.5    | 8-5/8" |
| 125  | 5"     | 343 | 54   | 25 | 14 | 260 | 90           | 70 | 4-9 | 36 | 2.2 | 216      | 8-3/4" |
| 150  | 6"     | 369 | 55   | 27 | 14 | 260 | 90           | 70 | 4-9 | 36 | 2.2 | 241.5    | 8-3/4" |

### Part Number Reference

| Part No           | Description  |
|-------------------|--|
| VL-CI-BU-L-150-24 | 1 1/2" 150# CI BUTTERFLY VALVE LUG TYPE, 4 HOLE, CAST IRON BODY, EPDM SEAT, DISC SS304, SHAFT SS410, HANDLE OPERATOR |
| VL-CI-BU-L-150-32 | 2" 150# CI BUTTERFLY VALVE LUG TYPE, 4 HOLE, CAST IRON BODY, EPDM SEAT, DISC SS304, SHAFT SS410, HANDLE OPERATOR     |
| VL-CI-BU-L-150-40 | 2 1/2" 150# CI BUTTERFLY VALVE LUG TYPE, 4 HOLE, CAST IRON BODY, EPDM SEAT, DISC SS304, SHAFT SS410, HANDLE OPERATOR |
| VL-CI-BU-L-150-48 | 3" 150# CI BUTTERFLY VALVE LUG TYPE, 4 HOLE, CAST IRON BODY, EPDM SEAT, DISC SS304, SHAFT SS410, HANDLE OPERATOR     |
| VL-CI-BU-L-150-64 | 4" 150# CI BUTTERFLY VALVE LUG TYPE, 8 HOLE, CAST IRON BODY, EPDM SEAT, DISC SS304, SHAFT SS410, HANDLE OPERATOR     |
| VL-CI-BU-L-150-80 | 5" 150# CI BUTTERFLY VALVE LUG TYPE, 8 HOLE, CAST IRON BODY, EPDM SEAT, DISC SS304, SHAFT SS410, HANDLE OPERATOR     |
| VL-CI-BU-L-150-96 | 6" 150# CI BUTTERFLY VALVE LUG TYPE, 8 HOLE, CAST IRON BODY, EPDM SEAT, DISC SS304, SHAFT SS410, HANDLE OPERATOR     |



## AF HYDRO

### Conditions of Use of Catalogue:

The information in the catalogue are not binding and in order to improve distribution, AF Hydro reserves the right to make any change including size and pressure ratings considered necessary at any time and without prior notice. According to the copyright and the civil law, any reproduction (also partial) of figures and texts of this catalogue by means of electronic, mechanical, photocopies, microfilms, recordings or other is forbidden without AF Hydro's authorization.