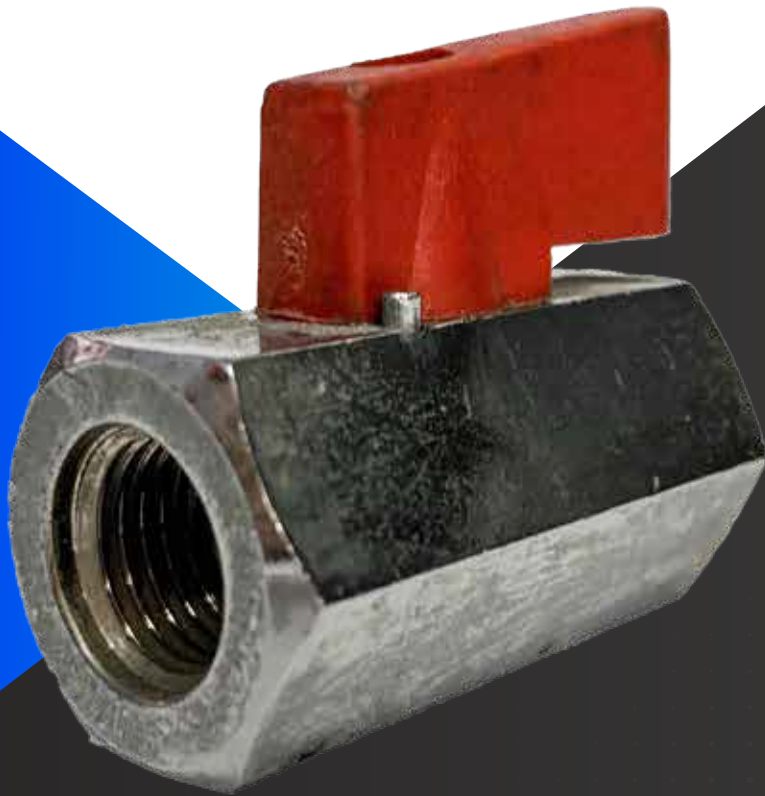


THREADED END

# **BRASS MINI BALL VALVE**

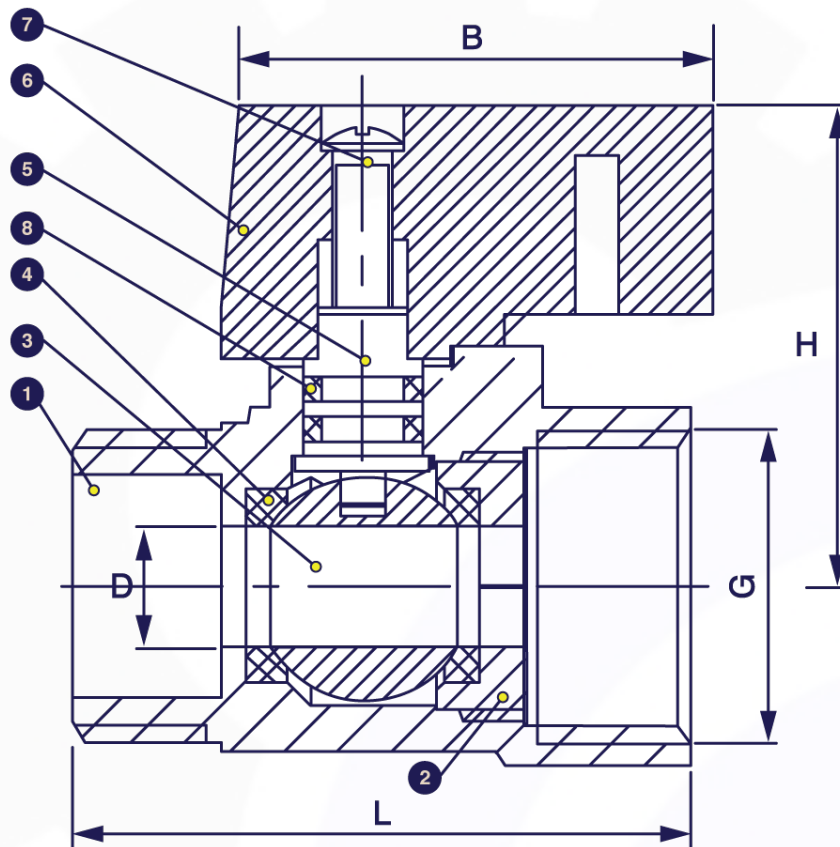


### Features

- Nickel Plated
- Sizes: 1/4" – 3/4" (DN8 - DN20)
- Working Pressure: 300 PSI
- Threaded End: BSPP
- Applicable Medium: General oil, Gas & Water Applications
- Blow-out Proof Stem Design
- Temperature: -20 Deg C to 120 Deg C



**Brass M x F  
Mini Ball Valves**



### Material List

| No. | Part Name | Material          |
|-----|-----------|-------------------|
| 1   | Body      | Brass             |
| 2   | Cap       | Brass             |
| 3   | Ball      | Hard Chrome Brass |
| 4   | Seat      | PTFE              |
| 5   | Stem      | Brass             |
| 6   | Handle    | Aluminium         |
| 7   | Nut       | Steel             |
| 8   | O-Ring    | NBR               |

## Ordering Information

|    |   |    |   |     |   |    |   |      |   |    |
|----|---|----|---|-----|---|----|---|------|---|----|
| VL | - | B  | - | BMF | - | G  | - | 1000 | - | 08 |
| I  |   | II |   | III |   | IV |   | V    |   | VI |

|          |                     |  |  |
|----------|---------------------|--|--|
| <b>I</b> | <b>Type of Item</b> |  |  |
| VL       | Low Pressure Valves |  |  |

|           |                       |    |            |
|-----------|-----------------------|----|------------|
| <b>II</b> | <b>Material Grade</b> |    |            |
| S         | SS316, CF8M           | CI | Cast Iron  |
| FS        | Forged Steel          | CS | Cast Steel |
| B         | Brass                 |    |            |

|            |                      |     |                               |
|------------|----------------------|-----|-------------------------------|
| <b>III</b> | <b>Item</b>          |     |                               |
| GA         | Gate Valve           | B1  | 1 PC Ball Valve               |
| GL         | Globe Valve          | B2  | 2 PC Ball Valve               |
| YS         | Y-Strainer           | B3  | 3 PC Ball Valve               |
| SC         | Swing Check Valve    | BL  | 3 Way Ball Valve L Port       |
| VC         | Vertical Check Valve | BT  | 3 Way Ball Valve T Port       |
| WC         | Wafer Check Valve    | BMF | Male x Female Mini Ball Valve |
| DD         | Dual Disk            | BU  | Butterfly Valve               |

|           |                        |   |            |
|-----------|------------------------|---|------------|
| <b>IV</b> | <b>Connection Type</b> |   |            |
| SW        | S/W                    | G | BSPP       |
| BW        | B/W                    | N | NPT        |
| R         | BSPT                   | F | Flange End |
| W         | Wafer                  | L | Lug        |

|          |                 |      |                           |
|----------|-----------------|------|---------------------------|
| <b>V</b> | <b>Pressure</b> |      |                           |
| 200      | 200 PSI         | 2000 | 2000 PSI                  |
| 300      | 300 PSI         | 150  | ANSI 150# Flange Standard |
| 600      | 600 PSI         | 10K  | JIS 10K Flange Standard   |
| 800      | 800 PSI         | PN16 | PN 16 Flange Standard     |
| 1000     | 1000 PSI        |      |                           |

## For Inch OD & Inch NB Sizes

|           |             |        |       |        |      |      |      |    |
|-----------|-------------|--------|-------|--------|------|------|------|----|
| <b>VI</b> | <b>Size</b> |        |       |        |      |      |      |    |
| Size      | 1/8"        | 1/4"   | 5/16" | 3/8"   | 1/2" | 5/8" | 3/4" | 1" |
| Code      | 02          | 04     | 05    | 06     | 08   | 10   | 12   | 16 |
| Size      | 1 1/4"      | 1 1/2" | 2"    | 2 1/2" | 3"   | 4"   | 5"   | 6" |
| Code      | 20          | 24     | 32    | 40     | 48   | 64   | 80   | 96 |

|            |                       |  |  |
|------------|-----------------------|--|--|
| <b>VII</b> | <b>Coating</b>        |  |  |
| (None)     | No Additional Coating |  |  |
| NI         | Nickel Plating        |  |  |

### Dimension List

| NPS  | Connection | Impa Code | Part No              | D  | H  | L  | B  | Weight (Kg) |
|------|------------|-----------|----------------------|----|----|----|----|-------------|
| 1/4" | BSPP       | -         | VL-B-BMF-G-300-04-NI | 8  | 27 | 40 | 22 | 0.06        |
| 3/8" | BSPP       | -         | VL-B-BMF-G-300-06-NI | 8  | 27 | 41 | 22 | 0.08        |
| 1/2" | BSPP       | -         | VL-B-BMF-G-300-08-NI | 10 | 29 | 44 | 22 | 0.09        |
| 3/4" | BSPP       | -         | VL-B-BMF-G-300-12-NI | 13 | 33 | 53 | 22 | 0.13        |

### Part Number Reference

| Impa Code | Part No              | Description                          |
|-----------|----------------------|--------------------------------------|
| -         | VL-B-BMF-G-300-04-NI | 1/4"BSPP BRASS M x F MINI BALL VALVE |
| -         | VL-B-BMF-G-300-06-NI | 3/8"BSPP BRASS M x F MINI BALL VALVE |
| -         | VL-B-BMF-G-300-08-NI | 1/2"BSPP BRASS M x F MINI BALL VALVE |
| -         | VL-B-BMF-G-300-12-NI | 3/4"BSPP BRASS M x F MINI BALL VALVE |



## AF HYDRO

### Conditions of Use of Catalogue:

The information in the catalogue are not binding and in order to improve distribution, AF Hydro reserves the right to make any change including size and pressure ratings considered necessary at any time and without prior notice. According to the copyright and the civil law, any reproduction (also partial) of figures and texts of this catalogue by means of electronic, mechanical, photocopies, microfilms, recordings or other is forbidden without AF Hydro's authorization.