



© AF Hydro 2023. All rights reserved.

WEBSITE:

www.afhydro.com

THREADED END

BRASS MINI BALL VALVE

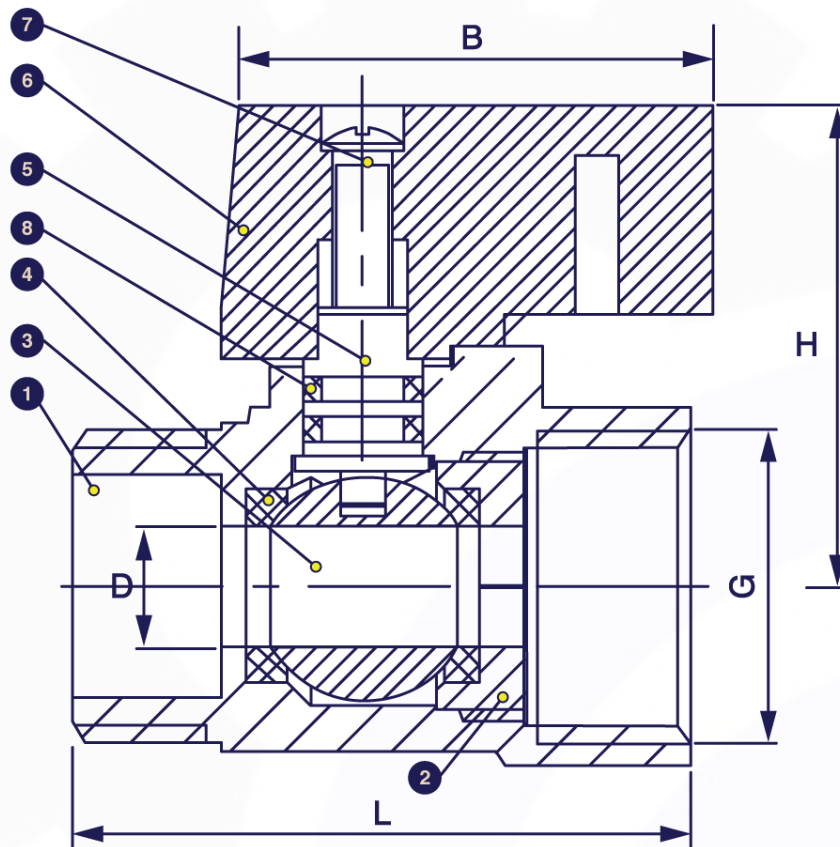


Features

- Nickel Plated
- Sizes: 1/4" – 3/4" (DN8 - DN20)
- Working Pressure: 300 PSI
- Threaded End: BSPP
- Applicable Medium: General oil, Gas & Water Applications
- Blow-out Proof Stem Design
- Temperature: -20 Deg C to 120 Deg C



**Brass M x F
Mini Ball Valves**



Material List

No.	Part Name	Material
1	Body	Brass
2	Cap	Brass
3	Ball	Hard Chrome Brass
4	Seat	PTFE
5	Stem	Brass
6	Handle	Aluminium
7	Nut	Steel
8	O-Ring	NBR

Ordering Information

VL	-	B	-	BMF	-	G	-	1000	-	08
I		II		III		IV		V		VI

I	Type of Item		
VL	Low Pressure Valves		

II	Material Grade		
S	SS316, CF8M	CI	Cast Iron
FS	Forged Steel	CS	Cast Steel
B	Brass		

III	Item		
GA	Gate Valve	B1	1 PC Ball Valve
GL	Globe Valve	B2	2 PC Ball Valve
YS	Y-Strainer	B3	3 PC Ball Valve
SC	Swing Check Valve	BL	3 Way Ball Valve L Port
VC	Vertical Check Valve	BT	3 Way Ball Valve T Port
WC	Wafer Check Valve	BMF	Male x Female Mini Ball Valve
DD	Dual Disk	BU	Butterfly Valve

IV	Connection Type		
SW	S/W	G	BSPP
BW	B/W	N	NPT
R	BSPT	F	Flange End
W	Wafer	L	Lug

V	Pressure		
200	200 PSI	2000	2000 PSI
300	300 PSI	150	ANSI 150# Flange Standard
600	600 PSI	10K	JIS 10K Flange Standard
800	800 PSI	PN16	PN 16 Flange Standard
1000	1000 PSI		

For Inch OD & Inch NB Sizes

VI	Size							
Size	1/8"	1/4"	5/16"	3/8"	1/2"	5/8"	3/4"	1"
Code	02	04	05	06	08	10	12	16
Size	1 1/4"	1 1/2"	2"	2 1/2"	3"	4"	5"	6"
Code	20	24	32	40	48	64	80	96

VII	Coating		
(None)	No Additional Coating		
NI	Nickel Plating		

Dimension List

NPS	Connection	Impa Code	Part No	D	H	L	B	Weight (Kg)
1/4"	BSPP	-	VL-B-BMF-G-300-04-NI	8	27	40	22	0.06
3/8"	BSPP	-	VL-B-BMF-G-300-06-NI	8	27	41	22	0.08
1/2"	BSPP	-	VL-B-BMF-G-300-08-NI	10	29	44	22	0.09
3/4"	BSPP	-	VL-B-BMF-G-300-12-NI	13	33	53	22	0.13

Part Number Reference

Impa Code	Part No	Description
-	VL-B-BMF-G-300-04-NI	1/4"BSPP BRASS M x F MINI BALL VALVE
-	VL-B-BMF-G-300-06-NI	3/8"BSPP BRASS M x F MINI BALL VALVE
-	VL-B-BMF-G-300-08-NI	1/2"BSPP BRASS M x F MINI BALL VALVE
-	VL-B-BMF-G-300-12-NI	3/4"BSPP BRASS M x F MINI BALL VALVE



BRASS MINI BALL VALVE



AF HYDRO

Conditions of Use of Catalogue:

The information in the catalogue are not binding and in order to improve distribution, AF Hydro reserves the right to make any change including size and pressure ratings considered necessary at any time and without prior notice. According to the copyright and the civil law, any reproduction (also partial) of figures and texts of this catalogue by means of electronic, mechanical, photocopies, microfilms, recordings or other is forbidden without AF Hydro's authorization.