



© AF Hydro 2023. All rights reserved.

WEBSITE:

[www.afhydro.com](http://www.afhydro.com)

THREADED END  
**BRASS**  
**BALL VALVE**

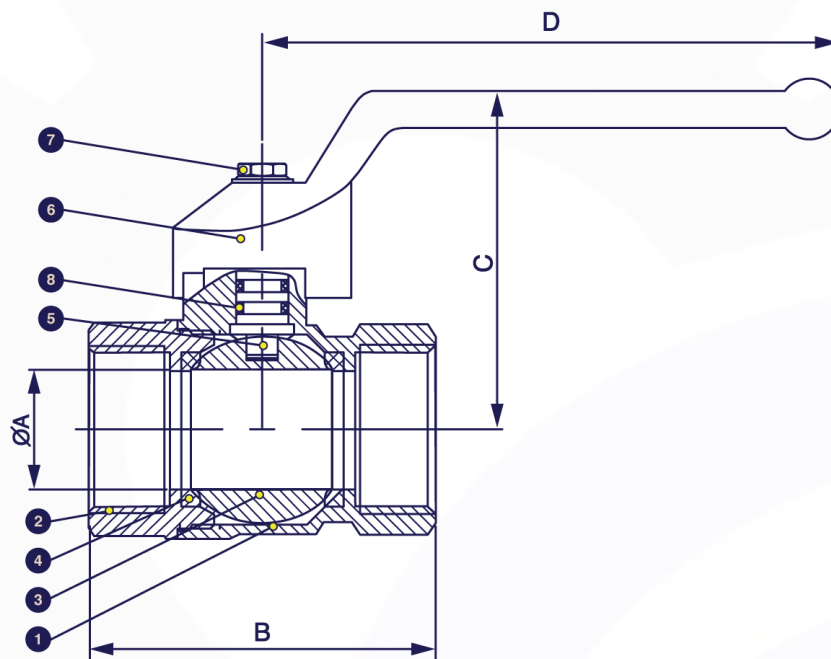


Features

- Types Available: Nickel Plated & No Nickel Plated
- Full Bore, Quarter Turn Operation
- Sizes: 1/4" – 4" (DN8 - DN100)
- Working Pressure: 300 PSI
- Threaded End: BSPP, NPT
- Applicable Medium: General oil, Gas & Water Applications
- Blow-out Proof Stem Design
- Temperature: -20 Deg C to 120 Deg C



Brass Ball Valves



Material List

No.	Part Name	Material
1	Body	Brass
2	Bonnet	Brass
3	Ball	Hard Chrome Brass
4	Seat	PTFE
5	Stem	Brass
6	Handle	Aluminium
7	Nut	Steel
8	O-Ring	NBR

**Ordering Information**

VL	-	B	-	B2	-	G	-	1000	-	08
I		II		III		IV		V		VI

<b>I</b>	<b>Type of Item</b>		
VL	Low Pressure Valves		

<b>II</b>	<b>Material Grade</b>		
S	SS316, CF8M	CI	Cast Iron
FS	Forged Steel	CS	Cast Steel
B	Brass		

<b>III</b>	<b>Item</b>		
GA	Gate Valve	B1	1 PC Ball Valve
GL	Globe Valve	B2	2 PC Ball Valve
YS	Y-Strainer	B3	3 PC Ball Valve
SC	Swing Check Valve	BL	3 Way Ball Valve L Port
VC	Vertical Check Valve	BT	3 Way Ball Valve T Port
WC	Wafer Check Valve	BMF	Male x Female Mini Ball Valve
DD	Dual Disk	BU	Butterfly Valve

<b>IV</b>	<b>Connection Type</b>		
SW	S/W	G	BSPP
BW	B/W	N	NPT
R	BSPT	F	Flange End
W	Wafer	L	Lug

<b>V</b>	<b>Pressure</b>		
200	200 PSI	2000	2000 PSI
300	300 PSI	150	ANSI 150# Flange Standard
600	600 PSI	10K	JIS 10K Flange Standard
800	800 PSI	PN16	PN 16 Flange Standard
1000	1000 PSI		

**For Inch OD & Inch NB Sizes**

<b>VI</b>	<b>Size</b>							
Size	1/8"	1/4"	5/16"	3/8"	1/2"	5/8"	3/4"	1"
Code	02	04	05	06	08	10	12	16
Size	1 1/4"	1 1/2"	2"	2 1/2"	3"	4"	5"	6"
Code	20	24	32	40	48	64	80	96

<b>VII</b>	<b>Coating</b>		
(None)	No Additional Coating		
NI	Nickel Plating		

**Dimension List for Brass Standard Ball Valves (With Nickel Plating)**

NPS	Connection	Impa Code	Part No	A	B	C	D	Weight (Kg)
1/4"	BSPP	-	VL-B-B2-G-300-04-NI	8	39	40	86	0.08
3/8"	BSPP	75 24 01	VL-B-B2-G-300-06-NI	10	42	41.5	86	0.10
1/2"	BSPP	75 24 02	VL-B-B2-G-300-08-NI	14	46.4	45.5	86	0.11
3/4"	BSPP	75 24 03	VL-B-B2-G-300-12-NI	18	51	48	86	0.15
1"	BSPP	75 24 04	VL-B-B2-G-300-16-NI	24	64.5	60.5	95	0.35
1 1/4"	BSPP	75 24 05	VL-B-B2-G-300-20-NI	31	76	73.5	115	0.65
1 1/2"	BSPP	75 24 06	VL-B-B2-G-300-24-NI	39	85	78.5	115	0.83
2"	BSPP	75 24 07	VL-B-B2-G-300-32-NI	46	93	101.5	147	1.18
2 1/2"	BSPP	-	VL-B-B2-G-300-40-NI	58	119	113	185	2.12
3"	BSPP	-	VL-B-B2-G-300-48-NI	69	133	128	227	3.25
4"	BSPP	-	VL-B-B2-G-300-64-NI	85	167	138	227	5.52
1/4"	NPT	-	VL-B-B2-N-300-04-NI	8	39	40	86	0.08
3/8"	NPT	-	VL-B-B2-N-300-06-NI	10	42	41.5	86	0.10
1/2"	NPT	-	VL-B-B2-N-300-08-NI	14	46.4	45.5	86	0.11
3/4"	NPT	-	VL-B-B2-N-300-12-NI	18	51	48	86	0.15
1"	NPT	-	VL-B-B2-N-300-16-NI	24	64.5	60.5	95	0.35
1 1/4"	NPT	-	VL-B-B2-N-300-20-NI	31	76	73.5	115	0.65
1 1/2"	NPT	-	VL-B-B2-N-300-24-NI	39	85	78.5	115	0.83
2"	NPT	-	VL-B-B2-N-300-32-NI	46	93	101.5	147	1.18
2 1/2"	NPT	-	VL-B-B2-N-300-40-NI	58	119	113	185	2.12
3"	NPT	-	VL-B-B2-N-300-48-NI	69	133	128	227	3.25
4"	NPT	-	VL-B-B2-N-300-64-NI	85	167	138	227	5.52

**Dimension List for Brass Standard Ball Valves (Without Nickel Plating)**

NPS	Connection	Impa Code	Part No	A	B	C	D	Weight (Kg)
1/4"	NPT	-	VL-B-B2-N-300-04	8	39	40	86	0.08
3/8"	NPT	-	VL-B-B2-N-300-06	10	42	41.5	86	0.10
1/2"	NPT	-	VL-B-B2-N-300-08	14	46.4	45.5	86	0.11
3/4"	NPT	-	VL-B-B2-N-300-12	18	51	48	86	0.15
1"	NPT	-	VL-B-B2-N-300-16	24	64.5	60.5	95	0.35
1 1/4"	NPT	-	VL-B-B2-N-300-20	31	76	73.5	115	0.65
1 1/2"	NPT	-	VL-B-B2-N-300-24	39	85	78.5	115	0.83
2"	NPT	-	VL-B-B2-N-300-32	46	93	101.5	147	1.18
2 1/2"	NPT	-	VL-B-B2-N-300-40	58	119	113	185	2.12
3"	NPT	-	VL-B-B2-N-300-48	69	133	128	227	3.25
4"	NPT	-	VL-B-B2-N-300-64	85	167	138	227	5.52

**Part Number Reference**

<b>Impa Code</b>	<b>Part No</b>	<b>Description</b>
-	VL-B-B2-G-300-04-NI	1/4" BSPP BRASS BALL VALVE (300 PSI) NICKEL PLATED
75 24 01	VL-B-B2-G-300-06-NI	3/8" BSPP BRASS BALL VALVE (300 PSI) NICKEL PLATED
75 24 02	VL-B-B2-G-300-08-NI	1/2" BSPP BRASS BALL VALVE (300 PSI) NICKEL PLATED
75 24 03	VL-B-B2-G-300-12-NI	3/4" BSPP BRASS BALL VALVE (300 PSI) NICKEL PLATED
75 24 04	VL-B-B2-G-300-16-NI	1" BSPP BRASS BALL VALVE (300 PSI) NICKEL PLATED
75 24 05	VL-B-B2-G-300-20-NI	1 1/4" BSPP BRASS BALL VALVE (300 PSI) NICKEL PLATED
75 24 06	VL-B-B2-G-300-24-NI	1 1/2" BSPP BRASS BALL VALVE (300 PSI) NICKEL PLATED
75 24 07	VL-B-B2-G-300-32-NI	2" BSPP BRASS BALL VALVE (300 PSI) NICKEL PLATED
-	VL-B-B2-G-300-40-NI	2 1/2" BSPP BRASS BALL VALVE (300 PSI) NICKEL PLATED
-	VL-B-B2-G-300-48-NI	3" BSPP BRASS BALL VALVE (300 PSI) NICKEL PLATED
-	VL-B-B2-G-300-64-NI	4" BSPP BRASS BALL VALVE (300 PSI) NICKEL PLATED
-	VL-B-B2-N-300-04-NI	1/4" NPT BRASS BALL VALVE (300 PSI) NICKEL PLATED
-	VL-B-B2-N-300-06-NI	3/8" NPT BRASS BALL VALVE (300 PSI) NICKEL PLATED
-	VL-B-B2-N-300-08-NI	1/2" NPT BRASS BALL VALVE (300 PSI) NICKEL PLATED
-	VL-B-B2-N-300-12-NI	3/4" NPT BRASS BALL VALVE (300 PSI) NICKEL PLATED
-	VL-B-B2-N-300-16-NI	1" NPT BRASS BALL VALVE (300 PSI) NICKEL PLATED
-	VL-B-B2-N-300-20-NI	1 1/4" NPT BRASS BALL VALVE (300 PSI) NICKEL PLATED
-	VL-B-B2-N-300-24-NI	1 1/2" NPT BRASS BALL VALVE (300 PSI) NICKEL PLATED
-	VL-B-B2-N-300-32-NI	2" NPT BRASS BALL VALVE (300 PSI) NICKEL PLATED
-	VL-B-B2-N-300-40-NI	2 1/2" NPT BRASS BALL VALVE (300 PSI) NICKEL PLATED
-	VL-B-B2-N-300-48-NI	3" NPT BRASS BALL VALVE (300 PSI) NICKEL PLATED
-	VL-B-B2-N-300-64-NI	4" NPT BRASS BALL VALVE (300 PSI) NICKEL PLATED
-	VL-B-B2-N-300-04	1/4" NPT BRASS BALL VALVE (300 PSI), NO NICKEL PLATING
-	VL-B-B2-N-300-06	3/8" NPT BRASS BALL VALVE (300 PSI), NO NICKEL PLATING
-	VL-B-B2-N-300-08	1/2" NPT BRASS BALL VALVE (300 PSI), NO NICKEL PLATING
-	VL-B-B2-N-300-12	3/4" NPT BRASS BALL VALVE (300 PSI), NO NICKEL PLATING
-	VL-B-B2-N-300-16	1" NPT BRASS BALL VALVE (300 PSI), NO NICKEL PLATING
-	VL-B-B2-N-300-20	1 1/4" NPT BRASS BALL VALVE (300 PSI), NO NICKEL PLATING
-	VL-B-B2-N-300-24	1 1/2" NPT BRASS BALL VALVE (300 PSI), NO NICKEL PLATING
-	VL-B-B2-N-300-32	2" NPT BRASS BALL VALVE (300 PSI), NO NICKEL PLATING
-	VL-B-B2-N-300-40	2 1/2" NPT BRASS BALL VALVE (300 PSI), NO NICKEL PLATING
-	VL-B-B2-N-300-48	3" NPT BRASS BALL VALVE (300 PSI), NO NICKEL PLATING
-	VL-B-B2-N-300-64	4" NPT BRASS BALL VALVE (300 PSI), NO NICKEL PLATING



## BRASS BALL VALVE



### AF HYDRO

#### Conditions of Use of Catalogue:

The information in the catalogue are not binding and in order to improve distribution, AF Hydro reserves the right to make any change including size and pressure ratings considered necessary at any time and without prior notice. According to the copyright and the civil law, any reproduction (also partial) of figures and texts of this catalogue by means of electronic, mechanical, photocopies, microfilms, recordings or other is forbidden without AF Hydro's authorization.