

ANSI 150# Cast Steel

# Flanged End GATE VALVES



### Features

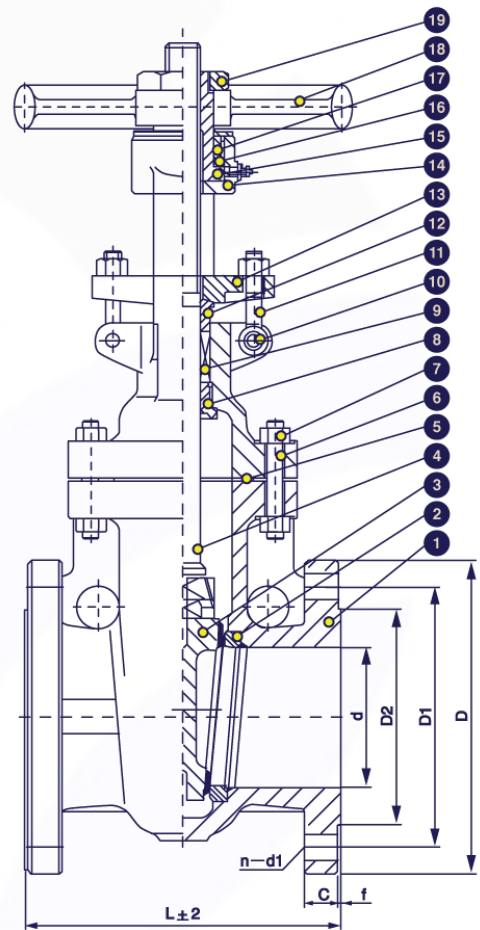
- ANSI 150# Flange Connection
- Size: 2" – 4" (DN50 – DN100)
- Valve Body Material: Cast Steel
- Working Pressure: 150#
- Applicable Medium: General oil, gas and water applications
- Temperature Range:  $\leq 425^{\circ}\text{C}$



**ANSI 150# Cast Steel  
Flange End Gate Valves**

### Material List

No.	Part Name	Material
1	Body	ASTM A216 WCB
2	Seat	ASTM A105 + 13%Cr
3	Wedge	ASTM A216 WCB + 13%Cr
4	Stem	ASTM A182 F6a
5	Gasket	A3 + Graphite
6	Bolt	ASTM A193 B7
7	Nut	ASTM A194 2H
8	Back Seat	ASTM A276 410
9	Packing	Flexible Graphite
10	Pin	AISI 1035
11	Eye Bolt	AISI 1032
12	Gland	ASTM A276 410
13	Gland Flange	ASTM A216 WCB
14	Bonnet	ASTM A216 WCB
15	Nipple	Assembly
16	Stem Nut	ASTM A439 D2
17	Nut	AISI 1035
18	Handwheel	WCB
19	Lock Nut	AISI 1035



### Technical Specifications

1. Basic design and manufacture according to API 600
2. Face to face dimension: ASME B16.10
3. Flange End: ASME B16.5
4. Inspection and test: API 598

Main Technical Parameter			
Normal pressure		150PSI	
Test pressure	Shell test	3.0	MPa
	Back Seal test	2.2	
	Seal test	2.2	
	Gas test	0.6	
Max working temperature		$\leq 425^{\circ}\text{C}$	
Applicable Medium: General oil, gas & water			

### Features

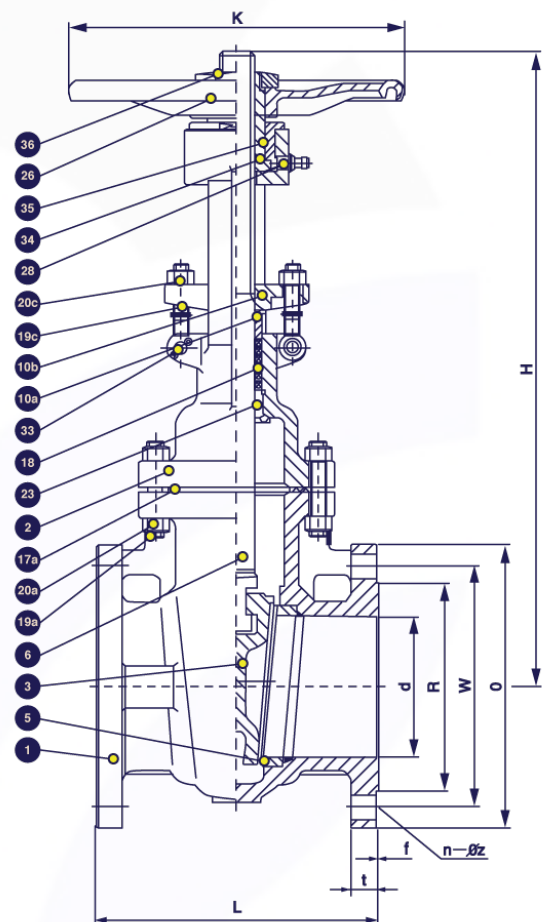
- ANSI 150# Flange Connection
- Size: 5" – 6" (DN125 – DN150)
- Valve Body Material: Cast Steel
- Working Pressure: 150#
- Applicable Medium: General oil, gas and water applications
- Temperature Range: -29°C to 425°C



ANSI 150# Cast Iron  
Flange End Gate Valves

### Material List

No.	Part Name	Material
1	Body	ASTM A216 WCB
2	Bonnet	ASTM A216 WCB
3	Wedge	ASTM A216 WCB + 13%Cr
5	Seat	ASTM A105 + 13%Cr
6	Stem	ASTM A182 F6a
10a	Packing Gland	ASTM A276 410
10b	Gland Flange	ASTM A216 WCB
17a	Gasket	SS304 + Graphite
18	Packing	Flexible Graphite
19a	Bolts	ASTM A193 B7
19c	Eye Bolts	ASTM A193 B7
20a	Nuts	ASTM A194 2H
20c	Nuts	ASTM A194 2H
23	Back Seat	ASTM A276 410
26	Handwheel	ASTM A47 32510
28	Stem Nut	ASTM B148 C95800
33	Pin	ASTM A29 1045
34	Stem Nut	ASTM B148 C95800
35	Cover	ASTM A29 1025
36	Nut	ASTM A29 1025



### Technical Specifications

1. Basic design and manufacture according to API 600
2. Face to face dimension: ASME B16.10
3. Flange End: ASME B16.5
4. Inspection and test: API 598

Main Technical Parameter			
Normal pressure		150PSI	
Test pressure	Hydraulic Body test	3.1	MPa
	Back Seal test	2.2	
	Seat test	2.2	
	Hermetical Seal test	0.6	
Max working temperature		-29°C to 425°C	
Applicable Medium: General oil, gas & water			

**Order Information**

VL	-	CS	-	GA	-	F	-	150	-	32
I		II		III		IV		V		VI

<b>I</b>	<b>Type of Item</b>		
VL	Low Pressure Valves		

<b>II</b>	<b>Material Grade</b>		
S	SS316, CF8M	CI	Cast Iron
FS	Forged Steel	CS	Cast Steel
B	Brass		

<b>III</b>	<b>Item</b>		
GA	Gate Valve	B1	1 PC Ball Valve
GL	Globe Valve	B2	2 PC Ball Valve
YS	Y-Strainer	B3	3 PC Ball Valve
SC	Swing Check Valve	BL	3 Way Ball Valve L Port
VC	Vertical Check Valve	BT	3 Way Ball Valve T Port
WC	Wafer Check Valve	BMF	Male x Female Mini Ball Valve
DD	Dual Disk	BU	Butterfly Valve

<b>IV</b>	<b>Connection Type</b>		
SW	S/W	G	BSPP
BW	B/W	N	NPT
R	BSPT	F	Flange End
W	Wafer	L	Lug

<b>V</b>	<b>Pressure</b>		
200	200 PSI	2000	2000 PSI
300	300 PSI	150	ANSI 150# Flange Standard
600	600 PSI	10K	JIS 10K Flange Standard
800	800 PSI	PN16	PN 16 Flange Standard
1000	1000 PSI		

**For Inch OD & Inch NB Sizes**

<b>VI</b>	<b>Size</b>							
Size	1/8"	1/4"	5/16"	3/8"	1/2"	5/8"	3/4"	1"
Code	02	04	05	06	08	10	12	16
Size	1 1/4"	1 1/2"	2"	2 1/2"	3"	4"	5"	6"
Code	20	24	32	40	48	64	80	96

<b>VII</b>	<b>Coating</b>		
(None)	No Additional Coating		
NI	Nickel Plating		

## Dimension List

### DN50 – DN100

NPS	Part No	d	L	D	D1	D2	n – d1	C	f	Weight (Kg)
2"	VL-CS-GA-F-150-32	51	178	150	120.7	92.1	4-Ø19	14.3	2	15.70
2-1/2"	VL-CS-GA-F-150-40	65	190	180	139.7	104.8	4-Ø19	15.9	2	20.65
3"	VL-CS-GA-F-150-48	76	203	190	152.4	127	4-Ø19	17.5	2	27.80
4"	VL-CS-GA-F-150-64	102	229	229	190.5	157	8-Ø19	22.3	2	42.50

### DN125-DN150

NPS	Part No	d	L	O	W	R	n – Øz	K	H	t	f	Weight (Kg)
5"	VL-CS-GA-F-150-80	127	254	255	215.9	185.7	8-Ø22	300	676	22.3	2	57.50
6"	VL-CS-GA-F-150-96	152	267	280	241.3	215.9	8-Ø22	300	766	23.9	2	66.00

## Part Number Reference

Part No	Description
VL-CS-GA-F-150-32	2" 150# CS FLANGE END GATE VALVE RF, RISING STEM, SS410 STEM
VL-CS-GA-F-150-40	2 1/2" 150# CS FLANGE END GATE VALVE RF, RISING STEM, SS410 STEM
VL-CS-GA-F-150-48	3" 150# CS FLANGE END GATE VALVE RF, RISING STEM, SS410 STEM
VL-CS-GA-F-150-64	4" 150# CS FLANGE END GATE VALVE RF, RISING STEM, SS410 STEM
VL-CS-GA-F-150-80	5" 150# CS FLANGE END GATE VALVE RF, RISING STEM, SS410 STEM
VL-CS-GA-F-150-96	6" 150# CS FLANGE END GATE VALVE RF, RISING STEM, SS410 STEM



## AF HYDRO

### Conditions of Use of Catalogue:

The information in the catalogue are not binding and in order to improve distribution, AF Hydro reserves the right to make any change including size and pressure ratings considered necessary at any time and without prior notice. According to the copyright and the civil law, any reproduction (also partial) of figures and texts of this catalogue by means of electronic, mechanical, photocopies, microfilms, recordings or other is forbidden without AF Hydro's authorization.