



ANSI 150#

# Forged Steel GLOBE VALVES



### Features

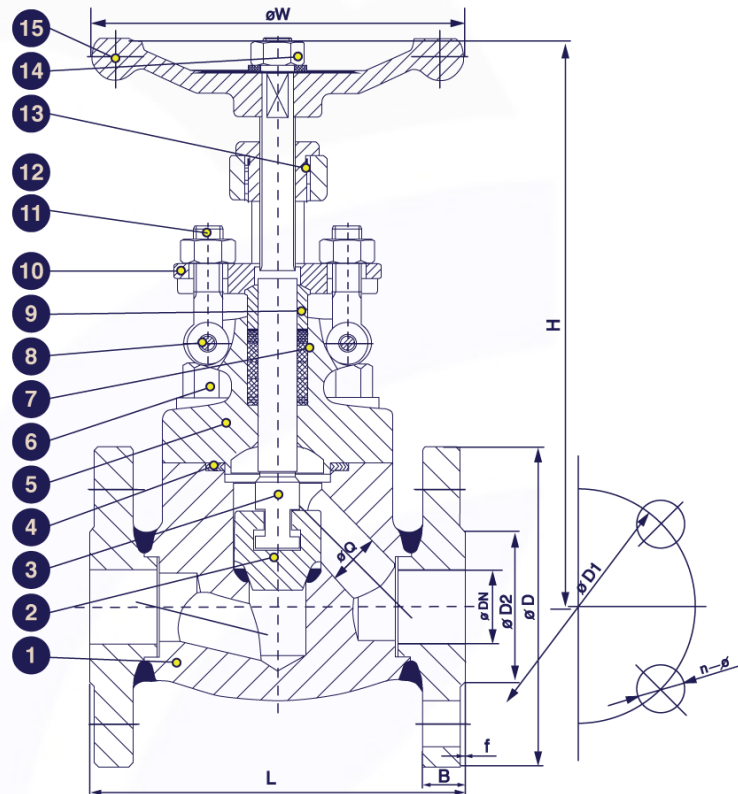
- ANSI 150# Flange Connection
- Size: 1" – 1 1/2" (DN25 – DN40)
- Valve Body Material: Forged Steel A105
- Working Pressure: 150#
- Applicable Medium: General oil, gas and water applications
- Temperature Range: -29°C to 425°C



ANSI 150# A105  
Flange End Globe Valve

### Material List

| No. | Part Name    | Material         |
|-----|--------------|------------------|
| 1   | Body + Seat  | ASTM A105+13Cr   |
| 2   | Disc         | ASTM A276 420    |
| 3   | Stem         | ASTM A182 6A     |
| 4   | Gasket       | SS304 + Graphite |
| 5   | Bonnet       | ASTM A105        |
| 6   | Bonnet Bolt  | ASTM A193 B7     |
| 7   | Packing      | Graphite         |
| 8   | Pin          | ASTM A307-A      |
| 9   | Gland        | ASTM A276 410    |
| 10  | Gland Flange | ASTM A105        |
| 11  | Gland Bolt   | ASTM A193 B7     |
| 12  | Gland Nut    | ASTM A194 2H     |
| 13  | Yoke Sleeve  | ASTL 276 410     |
| 14  | Lock Nut     | Carbon Steel     |
| 15  | Handwheel    | ASTM A197        |



### Technical Specifications

1. Basic design and manufacture according to API 602/BS5352
2. Face to face dimension: ASME B16.10
3. Flange End: ASME B16.5 RF
4. Inspection and test: API 598

### Main Technical Parameter

|   |            |                |     |
|---|------------|----------------|-----|
| Normal pressure                             |            | 150 PSI        |     |
| Test pressure                               | Shell test | 3.0            | MPa |
|   | Seal test  | 2.2            |     |
|   | Gas test   | 0.6            |     |
| Max working temperature                     |            | -29°C to 425°C |     |
| Applicable Medium: General oil, gas & water |            |                |     |

## Ordering Information

|    |   |    |   |     |   |    |   |     |   |    |
|----|---|----|---|-----|---|----|---|-----|---|----|
| VL | - | FS | - | GL  | - | F  | - | 150 | - | 16 |
| I  |   | II |   | III |   | IV |   | V   |   | VI |

|          |                     |  |  |
|----------|---------------------|--|--|
| <b>I</b> | <b>Type of Item</b> |  |  |
| VL       | Low Pressure Valves |  |  |

|           |                       |    |            |
|-----------|-----------------------|----|------------|
| <b>II</b> | <b>Material Grade</b> |    |            |
| S         | SS316, CF8M           | CI | Cast Iron  |
| FS        | Forged Steel          | CS | Cast Steel |
| B         | Brass                 |    |            |

|            |                      |     |                               |
|------------|----------------------|-----|-------------------------------|
| <b>III</b> | <b>Item</b>          |     |                               |
| GA         | Gate Valve           | B1  | 1 PC Ball Valve               |
| GL         | Globe Valve          | B2  | 2 PC Ball Valve               |
| YS         | Y-Strainer           | B3  | 3 PC Ball Valve               |
| SC         | Swing Check Valve    | BL  | 3 Way Ball Valve L Port       |
| VC         | Vertical Check Valve | BT  | 3 Way Ball Valve T Port       |
| WC         | Wafer Check Valve    | BMF | Male x Female Mini Ball Valve |
| DD         | Dual Disk            | BU  | Butterfly Valve               |

|           |                        |   |            |
|-----------|------------------------|---|------------|
| <b>IV</b> | <b>Connection Type</b> |   |            |
| SW        | S/W                    | G | BSPP       |
| BW        | B/W                    | N | NPT        |
| R         | BSPT                   | F | Flange End |
| W         | Wafer                  | L | Lug        |

|          |                 |      |                           |
|----------|-----------------|------|---------------------------|
| <b>V</b> | <b>Pressure</b> |      |                           |
| 200      | 200 PSI         | 2000 | 2000 PSI                  |
| 300      | 300 PSI         | 150  | ANSI 150# Flange Standard |
| 600      | 600 PSI         | 10K  | JIS 10K Flange Standard   |
| 800      | 800 PSI         | PN16 | PN 16 Flange Standard     |
| 1000     | 1000 PSI        |      |                           |

## For Inch OD & Inch NB Sizes

|           |             |        |       |        |      |      |      |    |
|-----------|-------------|--------|-------|--------|------|------|------|----|
| <b>VI</b> | <b>Size</b> |        |       |        |      |      |      |    |
| Size      | 1/8"        | 1/4"   | 5/16" | 3/8"   | 1/2" | 5/8" | 3/4" | 1" |
| Code      | 02          | 04     | 05    | 06     | 08   | 10   | 12   | 16 |
| Size      | 1 1/4"      | 1 1/2" | 2"    | 2 1/2" | 3"   | 4"   | 5"   | 6" |
| Code      | 20          | 24     | 32    | 40     | 48   | 64   | 80   | 96 |

|            |                       |  |  |
|------------|-----------------------|--|--|
| <b>VII</b> | <b>Coating</b>        |  |  |
| (None)     | No Additional Coating |  |  |
| NI         | Nickel Plating        |  |  |

### Dimension List

| NPS    | Part No           | Q  | D   | D1   | D2   | L   | W   | H   | B    | f   | n-Øz  | Weight (Kg) |
|--------|-------------------|----|-----|------|------|-----|-----|-----|------|-----|-------|-------------|
| 1"     | VL-FS-GL-F-150-16 | 18 | 108 | 79   | 51   | 127 | 125 | 203 | 14   | 1.6 | 4-Ø16 | 5.20        |
| 1 1/4" | VL-FS-GL-F-150-20 | 23 | 117 | 89   | 63.5 | 140 | 160 | 224 | 16   | 1.6 | 4-Ø16 | 7.69        |
| 1 1/2" | VL-FS-GL-F-150-24 | 30 | 127 | 98.5 | 73   | 165 | 160 | 260 | 17.5 | 1.6 | 4-Ø16 | 8.73        |

### Part Number Reference

| Part No           | Description   |
|-------------------|---|
| VL-FS-GL-F-150-16 | 1" 150# FLANGE END GLOBE VALVE A105 RF, RISING STEM, SS410 STEM     |
| VL-FS-GL-F-150-20 | 1 1/4" 150# FLANGE END GLOBE VALVE A105 RF, RISING STEM, SS410 STEM |
| VL-FS-GL-F-150-24 | 1 1/2" 150# FLANGE END GLOBE VALVE A105 RF, RISING STEM, SS410 STEM |



## ANSI 150# Forged Steel Globe Valves



### AF HYDRO

#### Conditions of Use of Catalogue:

The information in the catalogue are not binding and in order to improve distribution, AF Hydro reserves the right to make any change including size and pressure ratings considered necessary at any time and without prior notice. According to the copyright and the civil law, any reproduction (also partial) of figures and texts of this catalogue by means of electronic, mechanical, photocopies, microfilms, recordings or other is forbidden without AF Hydro's authorization.