

THREADED END

2 PIECE MxF

BALL VALVES

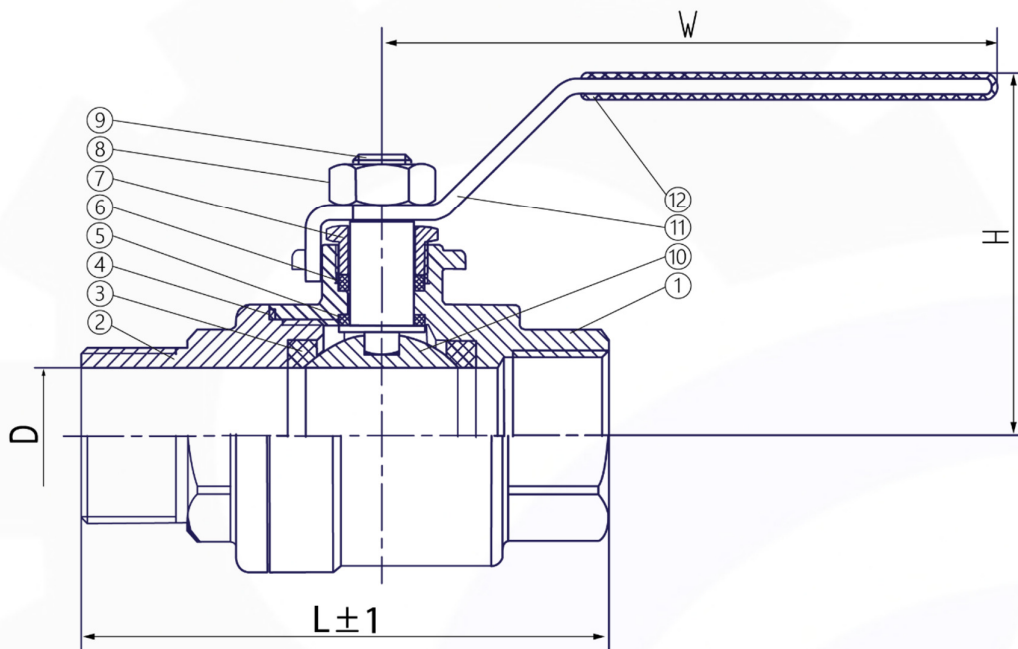


Features

- 2 PC Body Design
- Male to Female Connection
- Full Bore, Quarter Turn Operation
- Sizes: 1/4" – 2" (DN8 – DN50)
- Working Pressure: 1000 WOG
- Threaded End: BSPP, NPT
- Applicable Medium: General Oil, Gas & Water Applications
- Blow-out Proof Stem Design
- Temperature: -20 °C to 120 °C



2 PC Mx F Ball Valves



Material List

No.	Part Name	Material	No.	Part Name	Material
1	Body	CF8	8	Nut	SS304
2	Cap	CF8	9	Stem	F304
3	Seat	PTFE	10	Ball	SS304
4	Joint Gasket	PTFE	11	Handle	SS201
5	Thrust Washer	PTFE	12	Handle Cover	PVC
6	Packing	PTFE			
7	Gland	SS304			

Dimension List

NPS	Connection	Impa Code	Part No	DN	D	L	H	W	Weight (Kg)
1/4"	BSPP		VL-B-MF-304-2-1-G-04	8	7	63	48	91	0.2
3/8"	BSPP		VL-B-MF-304-2-1-G-06	10	11.5	63	48	91	0.19
1/2"	BSPP		VL-B-MF-304-2-1-G-08	15	15	65.5	56	103	0.24
3/4"	BSPP		VL-B-MF-304-2-1-G-12	20	20	70.5	62	120	0.32
1"	BSPP		VL-B-MF-304-2-1-G-16	25	25	89.5	65	120	0.5
1 1/4"	BSPP		VL-B-MF-304-2-1-G-20	32	32	102	74	125	0.9
1 1/2"	BSPP		VL-B-MF-304-2-1-G-24	38	38	109	85	162	1.14
2"	BSPP		VL-B-MF-304-2-1-G-32	50	49	124.5	94	172	1.63
1/4"	NPT		VL-B-MF-304-2-1-N-04	8	7	63	48	91	0.2
3/8"	NPT		VL-B-MF-304-2-1-N-06	12	11.5	63	48	91	0.19
1/2"	NPT		VL-B-MF-304-2-1-N-08	15	15	65.5	56	103	0.24
3/4"	NPT		VL-B-MF-304-2-1-N-12	20	20	70.5	62	120	0.32
1"	NPT		VL-B-MF-304-2-1-N-16	25	25	89.5	65	120	0.5
1 1/4"	NPT		VL-B-MF-304-2-1-N-20	32	32	102	74	125	0.9
1 1/2"	NPT		VL-B-MF-304-2-1-N-24	38	38	109	85	162	1.14
2"	NPT		VL-B-MF-304-2-1-N-32	50	49	124.5	94	172	1.63

Part Number Reference

Impa Code	Part No	Description
	VL-B-MF-304-2-1-G-04	1/4" BSPP SS304 2 PC BALL VALVE 1000 WOG MALE x FEMALE SOLID BALL
	VL-B-MF-304-2-1-G-06	3/8" BSPP SS304 2 PC BALL VALVE 1000 WOG MALE x FEMALE SOLID BALL
	VL-B-MF-304-2-1-G-08	1/2" BSPP SS304 2 PC BALL VALVE 1000 WOG MALE x FEMALE SOLID BALL
	VL-B-MF-304-2-1-G-12	3/4" BSPP SS304 2 PC BALL VALVE 1000 WOG MALE x FEMALE SOLID BALL
	VL-B-MF-304-2-1-G-16	1" BSPP SS304 2 PC BALL VALVE 1000 WOG MALE x FEMALE SOLID BALL
	VL-B-MF-304-2-1-G-20	1 1/4" BSPP SS304 2 PC BALL VALVE 1000 WOG MALE x FEMALE SOLID BALL
	VL-B-MF-304-2-1-G-24	1 1/2" BSPP SS304 2 PC BALL VALVE 1000 WOG MALE x FEMALE SOLID BALL
	VL-B-MF-304-2-1-G-32	2" BSPP SS304 2 PC BALL VALVE 1000 WOG MALE x FEMALE SOLID BALL
	VL-B-MF-304-2-1-N-04	1/4" NPT SS304 2 PC BALL VALVE 1000 WOG MALE x FEMALE SOLID BALL
	VL-B-MF-304-2-1-N-06	3/8" NPT SS304 2 PC BALL VALVE 1000 WOG MALE x FEMALE SOLID BALL
	VL-B-MF-304-2-1-N-08	1/2" NPT SS304 2 PC BALL VALVE 1000 WOG MALE x FEMALE SOLID BALL
	VL-B-MF-304-2-1-N-12	3/4" NPT SS304 2 PC BALL VALVE 1000 WOG MALE x FEMALE SOLID BALL
	VL-B-MF-304-2-1-N-16	1" NPT SS304 2 PC BALL VALVE 1000 WOG MALE x FEMALE SOLID BALL
	VL-B-MF-304-2-1-N-20	1 1/4" NPT SS304 2 PC BALL VALVE 1000 WOG MALE x FEMALE SOLID BALL
	VL-B-MF-304-2-1-N-24	1 1/2" NPT SS304 2 PC BALL VALVE 1000 WOG MALE x FEMALE SOLID BALL
	VL-B-MF-304-2-1-N-32	2" NPT SS304 2 PC BALL VALVE 1000 WOG MALE x FEMALE SOLID BALL



Conditions of Use of Catalogue:

The information in the catalogue are not binding and in order to improve distribution, AF Hydro reserves the right to make any change including size and pressure ratings considered necessary at any time and without prior notice. According to the copyright and the civil law, any reproduction (also partial) of figures and texts of this catalogue by means of electronic, mechanical, photocopies, microfilms, recordings or other is forbidden without AF Hydro's authorization.