

NEEDLE VALVES

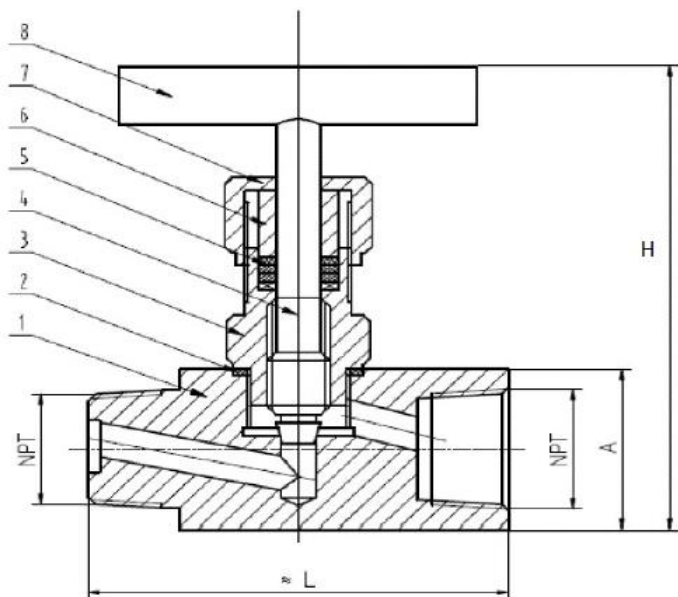
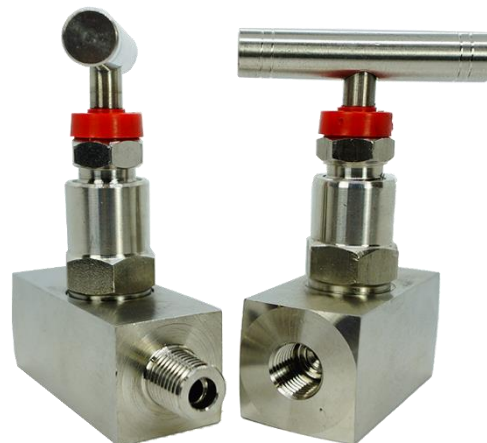
RFS Needle Valves SS316 6000PSI MALE x FEMALE



Male x Female Needle Valve

Features

- Size: 1/4" to 1" (DN6 – DN25)
- Working Pressure: 6000 PSI/420 BAR
- Material: Stainless Steel SS316
- Threaded End: NPT
- Temperature Range: -15°C to 150°C
- Applicable Medium: General oil, gas & water



Material List:

No.	Part Name	Material
1.	Valve Body	SS316
2.	Shim	SS316
3.	Valve Cover	SS316
4.	Stem	SS316
5.	Filler	PTFE
6.	Gland	SS304
7.	Gland Nut	SS316
8.	Handle	SS304

Dimension List:

NPT	L	A	H	Unite Weight (Kg)
1/4"	82	28	98	0.54
3/8"	82	28	98	0.54
1/2"	85	30	98	0.62
3/4"	92	38	102	0.94
1"	102	50.8	114	1.62

Technical/ Performance Specifications	
Design & Manufacture	GB/T12224-2005 JB/T7747-2010
Supply Requirements	GB/T12252-2005
Testing	GB/T13927-1992
Nominal Pressure	6000 PSI
Strength Test Pressure	9000 PSI
Seal Test Pressure	6600 PSI

Part Number Reference:

Part No.	Description
V-N-MF-S-N-04	1/4"NPT SS316 NEEDLE VALVE (6000 PSI) (MALE x FEMALE)
V-N-MF-S-N-06	3/8"NPT SS316 NEEDLE VALVE (6000 PSI) (MALE x FEMALE)
V-N-MF-S-N-08	1/2"NPT SS316 NEEDLE VALVE (6000 PSI) (MALE x FEMALE)
V-N-MF-S-N-12	3/4"NPT SS316 NEEDLE VALVE (6000 PSI) (MALE x FEMALE)
V-N-MF-S-N-16	1"NPT SS316 NEEDLE VALVE (6000 PSI) (MALE x FEMALE)

Chuan Kok Hardware & Machinery Pte Ltd

Address : 1783 Geylang Bahru, #01-02, Singapore 339708
Telephone Number : +65 6294 2566
Email Address : info@chuankok.com
Website : www.chuankok.com
Business Registration Number : 198201577Z
Country of Registration : Singapore

Conditions of Use of Catalogue:

The information in the catalogue are not binding and in order to improve distribution, Chuan Kok Hardware & Machinery Pte Ltd reserves the right to make any change including size and pressure ratings considered necessary at any time and without prior notice. According to the copyright and the civil law, any reproduction (also partial) of figures and texts of this catalogue by means of electronic, mechanical, photocopies, microfilms, recordings or other is forbidden without Chuan Kok Hardware & Machinery Pte Ltd's authorization.
Catalogue Version: 2021

