



LOW PRESSURE 1000 PSI STAINLESS STEEL 3 WAY BALL VALVE T-PORT

Feature:

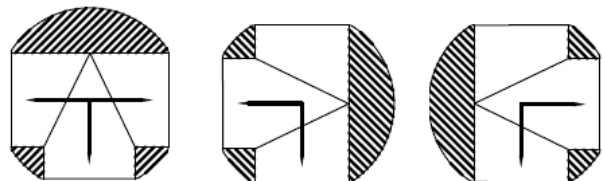
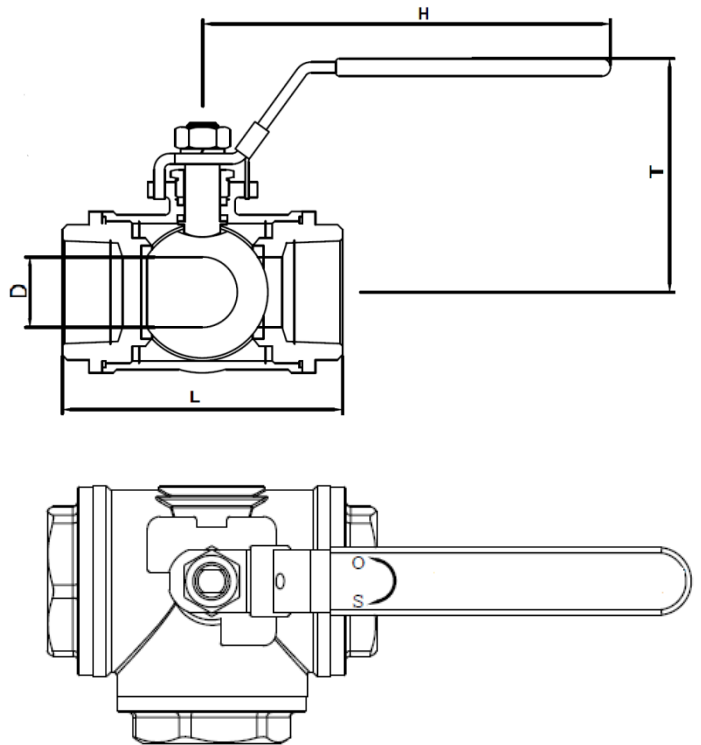
- Female 3 Way Ball valve, T-Port Design
- Size: 1/4" - 2" (DN8 - 50)
- Working Pressure: 1000 PSI
- Threaded End:
- BSPP, NPT
- Applicable Medium: General oil, Gas & Water applications
- Blow-out Proof Stem Design
- Temperature Range: -29°C to 150°C



Addison Fluids

Material List:

No.	Part Name	Material
1	Bonnet	SS316, CF8M
2	Seat	PTFE
3	Gasket	PTFE
4	Body	SS316, CF8M
5	Ball	SS316
6	Thrust Gasket	PTFE
7	Stem	SS316
8	Gland	SS304
9	Lever	SS304
10	Washer	SS304
11	Nut	SS304





Ordering Information

VL - S - B2 - G - 1000 - 08
 I II III IV V VI

I Type of Item

VL Low Pressure Valves

II Material Grade

S SS316, CF8M

B Brass

III Item

GA	Gate Valve	B1	1 PC Ball Valve
GL	Globe Valve	B2	2 PC Ball Valve
YS	Y-Strainer	B3	3 PC Ball Valve
SC	Swing Check Valve	BL	3 Way Ball Valve L Port
VC	Vertical Check Valve	BT	3 Way Ball Valve T Port
WC	Wafer Check Valve	BMF	Male x Female Mini Ball Valve

IV Connection Type

SW	S/W	G	BSP
BW	B/W	N	NPT
R	BSPT	F	Flanged End

V Pressure

200	200 PSI	1000	1000 PSI
300	300 PSI	150	ANSI 150# Flange Standard
800	800 PSI	10K	JIS 10K Flange Standard

For Inch OD & Inch NB Sizes

VI Size

Size	1/8"	1/4"	5/16"	3/8"	1/2"	5/8"	3/4"
Code	02	04	05	06	08	10	12
Size	1"	1 1/4"	1 1/2"	2"	2 1/2"	3"	4"
Code	16	20	24	32	40	48	64

VII Coating

(none) No additional Coating

NI Nickel Plating



Dimension List:

NPS	Connection	Impa Code	Part No	D	L	H	T	Weight (kg)
1/4"	BSPP	-	VL-S-BT-G-1000-04	6	65.5	100	51	0.58
3/8"	BSPP	-	VL-S-BT-G-1000-06	6	65.5	100	51	0.55
1/2"	BSPP	-	VL-S-BT-G-1000-08	10	75.5	100	57	0.52
3/4"	BSPP	-	VL-S-BT-G-1000-12	15	82.5	108	62	0.71
1"	BSPP	-	VL-S-BT-G-1000-16	20	88	140	72	0.98
1 1/4"	BSPP	-	VL-S-BT-G-1000-20	25	105	152	88	2.18
1 1/2"	BSPP	-	VL-S-BT-G-1000-24	32	135	166	100	3.17
2"	BSPP	-	VL-S-BT-G-1000-32	39	149	170	102	4.38
1/4"	NPT	-	VL-S-BT-N-1000-04	6	65.5	100	51	0.58
3/8"	NPT	-	VL-S-BT-N-1000-06	6	65.5	100	51	0.55
1/2"	NPT	-	VL-S-BT-N-1000-08	10	75.5	100	57	0.52
3/4"	NPT	-	VL-S-BT-N-1000-12	15	82.5	108	62	0.71
1"	NPT	-	VL-S-BT-N-1000-16	20	88	140	72	0.98
1 1/4"	NPT	-	VL-S-BT-N-1000-20	25	105	152	88	2.18
1 1/2"	NPT	-	VL-S-BT-N-1000-24	32	135	166	100	3.17
2"	NPT	-	VL-S-BT-N-1000-32	39	149	170	102	4.38

Part Number Reference:

Impa Code	Part No	Description
-	VL-S-BT-G-1000-04	1/4"BSPP SS316 3 WAY BALL VALVE,T PORT (1000 PSI)
-	VL-S-BT-G-1000-06	3/8"BSPP SS316 3 WAY BALL VALVE,T PORT (1000 PSI)
-	VL-S-BT-G-1000-08	1/2"BSPP SS316 3 WAY BALL VALVE,T PORT (1000 PSI)
-	VL-S-BT-G-1000-12	3/4"BSPP SS316 3 WAY BALL VALVE,T PORT (1000 PSI)
-	VL-S-BT-G-1000-16	1"BSPP SS316 3 WAY BALL VALVE,T PORT (1000 PSI)
-	VL-S-BT-G-1000-20	1 1/4"BSPP SS316 3 WAY BALL VALVE,T PORT (1000 PSI)
-	VL-S-BT-G-1000-24	1 1/2"BSPP SS316 3 WAY BALL VALVE,T PORT (1000 PSI)
-	VL-S-BT-G-1000-32	2"BSPP SS316 3 WAY BALL VALVE,T PORT (1000 PSI)
-	VL-S-BT-N-1000-04	1/4"NPT SS316 3 WAY BALL VALVE,T PORT (1000 PSI)
-	VL-S-BT-N-1000-06	3/8"NPT SS316 3 WAY BALL VALVE,T PORT (1000 PSI)
-	VL-S-BT-N-1000-08	1/2"NPT SS316 3 WAY BALL VALVE,T PORT (1000 PSI)
-	VL-S-BT-N-1000-12	3/4"NPT SS316 3 WAY BALL VALVE,T PORT (1000 PSI)
-	VL-S-BT-N-1000-16	1"NPT SS316 3 WAY BALL VALVE,T PORT (1000 PSI)
-	VL-S-BT-N-1000-20	1 1/4"NPT SS316 3 WAY BALL VALVE,T PORT (1000 PSI)
-	VL-S-BT-N-1000-24	1 1/2"NPT SS316 3 WAY BALL VALVE,T PORT (1000 PSI)
-	VL-S-BT-N-1000-32	2"NPT SS316 3 WAY BALL VALVE,T PORT (1000 PSI)



Chuan Kok Hardware & Machinery Pte Ltd

Address: 1783 Geylang Bahru #01-02, Kallang Distripark Singapore 339708

Telephone Number: +65 6294 2566

Fax Number: +65 6295 7013

Email Address: info@chuankok.com

Website: www.chuankok.com

Business Registration Number: 198201577Z

Country of Registration: Singapore

Conditions of Use of Catalogue

The information in the catalogue are not binding and in order to improve distribution, Chuan Kok Hardware & Machinery Pte Ltd reserves the right to make any change including size and pressure ratings considered necessary at any time and without prior notice.

According to the copyright and the civil law, any reproduction (also partial) of figures and texts of this catalogue by means of electronic, mechanical, photocopies, microfilms, recordings or other is forbidden without Chuan Kok Hardware & Machinery Pte Ltd's authorization.

Catalogue Version: 1215