

3 PC FULL BORE 1000PSI STAINLESS STEEL THREADED/SOCKET WELD END BALL VALVE

Feature:

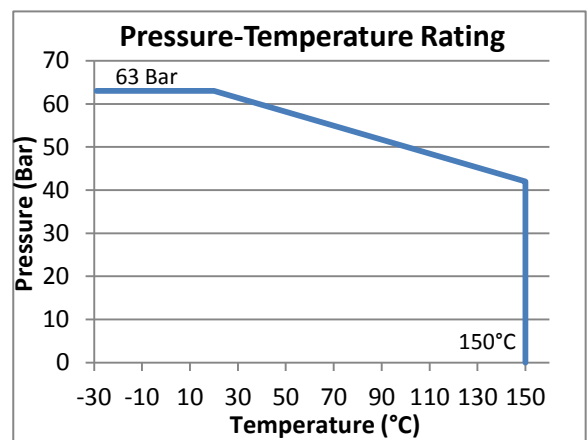
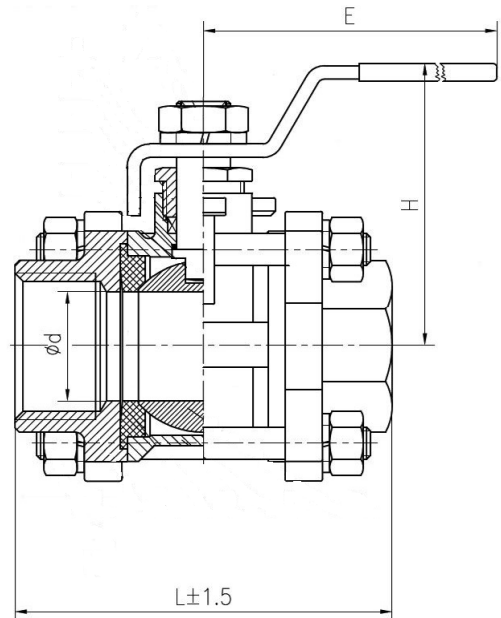
- 3 PC Body Design
- Full Bore, Quarter turn operation
- Size: 1/4" – 4" (DN8-100)
- Working Pressure: 1000 PSI
- Threaded End:
BSPP, NPT or Socket Welding End
- Applicable Medium: General oil, Gas & Water applications
- Blow-out Proof Stem Design
- Temperature Range: -29°C to 150°C



AddisOn Fluids

Material List:

No.	Part Name	Material
1	Body	SS316, CF8M
2	Cap	SS316
3	Seat	PTFE
4	Ball	SS316
5	Seal Gasket	PTFE
6	Stem Seal	PTFE
7	Stem	SS316
8	Anti-Static Device	SS304
9	Stem Packing	PTFE
10	Packing Gland	SS304
11	Spring Washer	SS301
12	Handle	SS304
13	Stem Nut	SS304



Ordering Information

 VL - S - B2 - G - 1000 - 08
 I II III IV V VI

I Type of Item

VL Low Pressure Valves

II Material Grade

S SS316, CF8M

B Brass

III Item

GA	Gate Valve	B1	1 PC Ball Valve
GL	Globe Valve	B2	2 PC Ball Valve
YS	Y-Strainer	B3	3 PC Ball Valve
SC	Swing Check Valve	BL	3 Way Ball Valve L Port
VC	Vertical Check Valve	BT	3 Way Ball Valve T Port
WC	Wafer Check Valve	BMF	Male x Female Mini Ball Valve

IV Connection Type

SW	S/W	G	BSP
BW	B/W	N	NPT
R	BSPT	F	Flanged End

V Pressure

200	200 PSI	1000	1000 PSI
300	300 PSI	150	ANSI 150# Flange Standard
800	800 PSI	10K	JIS 10K Flange Standard

For Inch OD & Inch NB Sizes

VI Size

Size	1/8"	1/4"	5/16"	3/8"	1/2"	5/8"	3/4"
Code	02	04	05	06	08	10	12
Size	1"	1 1/4"	1 1/2"	2"	2 1/2"	3"	4"
Code	16	20	24	32	40	48	64

VII Coating

(none) No additional Coating

NI Nickel Plating

Dimension List for NPT, BSPP, SW End Valve 1000 PSI:

NPS	Connection	Impa Code	Part No	d	L	H	E	PCD	Weight (kg)
1/4"	BSPP	-	VL-S-B3-G-1000-04	10	66	45	100	-	0.30
3/8"	BSPP	-	VL-S-B3-G-1000-06	12	66	45	100	-	0.30
1/2"	BSPP	-	VL-S-B3-G-1000-08	15	73	53	104	33	0.51
3/4"	BSPP	-	VL-S-B3-G-1000-12	20	79.5	58	118	39.5	0.73
1"	BSPP	-	VL-S-B3-G-1000-16	25	86.5	68	145	43.5	0.91
1 1/4"	BSPP	-	VL-S-B3-G-1000-20	32	108	81	162	55.5	1.56
1 1/2"	BSPP	-	VL-S-B3-G-1000-24	38	118	85	180	60	1.86
2"	BSPP	-	VL-S-B3-G-1000-32	50	144	92	180	75	2.98
2 1/2"	BSPP	-	VL-S-B3-G-1000-40	65	180	115	224	94	6.65
3"	BSPP	-	VL-S-B3-G-1000-48	80	209	130	242	100	10.07
4"	BSPP	-	VL-S-B3-G-1000-64	-	-	-	-	123	17.79
1/4"	NPT	-	VL-S-B3-N-1000-04	10	66	45	100	-	0.30
3/8"	NPT	-	VL-S-B3-N-1000-06	12	66	45	100	-	0.30
1/2"	NPT	-	VL-S-B3-N-1000-08	15	73	53	104	33	0.51
3/4"	NPT	-	VL-S-B3-N-1000-12	20	79.5	58	118	39.5	0.73
1"	NPT	-	VL-S-B1-N-1000-16	25	86.5	68	145	43.5	0.91
1 1/4"	NPT	-	VL-S-B3-N-1000-20	32	108	81	162	55.5	1.56
1 1/2"	NPT	-	VL-S-B3-N-1000-24	38	118	85	180	60	1.86
2"	NPT	-	VL-S-B3-N-1000-32	50	144	92	180	75	2.98
2 1/2"	NPT	-	VL-S-B3-N-1000-40	65	180	115	224	94	6.65
3"	NPT	-	VL-S-B3-N-1000-48	80	209	130	242	100	10.07
4"	NPT	-	VL-S-B3-N-1000-64	-	-	-	-	123	17.79
1/4"	SW	-	VL-S-B3-SW-1000-04	10	66	45	100	-	0.30
3/8"	SW	-	VL-S-B3-SW-1000-06	12	66	45	100	-	0.30
1/2"	SW	-	VL-S-B3-SW-1000-08	15	73	53	104	33	0.51
3/4"	SW	-	VL-S-B3-SW-1000-12	20	79.5	58	118	39.5	0.73
1"	SW	-	VL-S-B3-SW-1000-16	25	86.5	68	145	43.5	0.91
1 1/4"	SW	-	VL-S-B3-SW-1000-20	32	108	81	162	55.5	1.55
1 1/2"	SW	-	VL-S-B3-SW-1000-24	38	118	85	180	60	1.85
2"	SW	-	VL-S-B3-SW-1000-32	50	144	92	180	75	2.98
2 1/2"	SW	-	VL-S-B3-SW-1000-40	65	180	115	224	94	3.54
3"	SW	-	VL-S-B3-SW-1000-48	80	209	130	242	100	6.38
4"	SW	-	VL-S-B3-SW-1000-64	-	-	-	-	123	-

Part Number Reference:

Impa Code	Part No	Description
-	VL-S-B3-G-1000-04	1/4"BSPP SS316 3 PC BALL VALVE (1000 WOG)
-	VL-S-B3-G-1000-06	3/8"BSPP SS316 3 PC BALL VALVE (1000 WOG)
-	VL-S-B3-G-1000-08	1/2"BSPP SS316 3 PC BALL VALVE (1000 WOG)
-	VL-S-B3-G-1000-12	3/4"BSPP SS316 3 PC BALL VALVE (1000 WOG)
-	VL-S-B3-G-1000-16	1"BSPP SS316 3 PC BALL VALVE (1000 WOG)
-	VL-S-B3-G-1000-20	1 1/4"BSPP SS316 3 PC BALL VALVE (1000 WOG)
-	VL-S-B3-G-1000-24	1 1/2"BSPP SS316 3 PC BALL VALVE (1000 WOG)
-	VL-S-B3-G-1000-32	2"BSPP SS316 3 PC BALL VALVE (1000 WOG)
-	VL-S-B3-G-1000-40	2 1/2"BSPP SS316 3 PC BALL VALVE (1000 WOG)
-	VL-S-B3-G-1000-48	3"BSPP SS316 3 PC BALL VALVE (1000 WOG)
-	VL-S-B3-G-1000-64	4"BSPP SS316 3 PC BALL VALVE (1000 WOG)
-	VL-S-B3-N-1000-04	1/4"NPT SS316 3 PC BALL VALVE (1000 WOG)
-	VL-S-B3-N-1000-06	3/8"NPT SS316 3 PC BALL VALVE (1000 WOG)
-	VL-S-B3-N-1000-08	1/2"NPT SS316 3 PC BALL VALVE (1000 WOG)
-	VL-S-B3-N-1000-12	3/4"NPT SS316 3 PC BALL VALVE (1000 WOG)
-	VL-S-B3-N-1000-16	1"NPT SS316 3 PC BALL VALVE (1000 WOG)
-	VL-S-B3-N-1000-20	1 1/4"NPT SS316 3 PC BALL VALVE (1000 WOG)
-	VL-S-B3-N-1000-24	1 1/2"NPT SS316 3 PC BALL VALVE (1000 WOG)
-	VL-S-B3-N-1000-32	2"NPT SS316 3 PC BALL VALVE (1000 WOG)
-	VL-S-B3-N-1000-40	2 1/2"NPT SS316 3 PC BALL VALVE (1000 WOG)
-	VL-S-B3-N-1000-48	3"NPT SS316 3 PC BALL VALVE (1000 WOG)
-	VL-S-B3-N-1000-64	4"NPT SS316 3 PC BALL VALVE (1000 WOG)
-	VL-S-B3-SW-1000-04	1/4" S/W SS316 3 PC BALL VALVE (1000 WOG)
-	VL-S-B3-SW-1000-06	3/8" S/W SS316 3 PC BALL VALVE (1000 WOG)
-	VL-S-B3-SW-1000-08	1/2" S/W SS316 3 PC BALL VALVE (1000 WOG)
-	VL-S-B3-SW-1000-12	3/4" S/W SS316 3 PC BALL VALVE (1000 WOG)
-	VL-S-B3-SW-1000-16	1" S/W SS316 3 PC BALL VALVE (1000 WOG)
-	VL-S-B3-SW-1000-20	1 1/4" S/W SS316 3 PC BALL VALVE (1000 WOG)
-	VL-S-B3-SW-1000-24	1 1/2" S/W SS316 3 PC BALL VALVE (1000 WOG)
-	VL-S-B3-SW-1000-32	2" S/W SS316 3 PC BALL VALVE (1000 WOG)
-	VL-S-B3-SW-1000-40	2 1/2" S/W SS316 3 PC BALL VALVE (1000 WOG)
-	VL-S-B3-SW-1000-48	3" S/W SS316 3 PC BALL VALVE (1000 WOG)
-	VL-S-B3-SW-1000-64	4" S/W SS316 3 PC BALL VALVE (1000 WOG)

3 PC FULL BORE 1000PSI STAINLESS STEEL BUTT WELD END BALL VALVE

Feature:

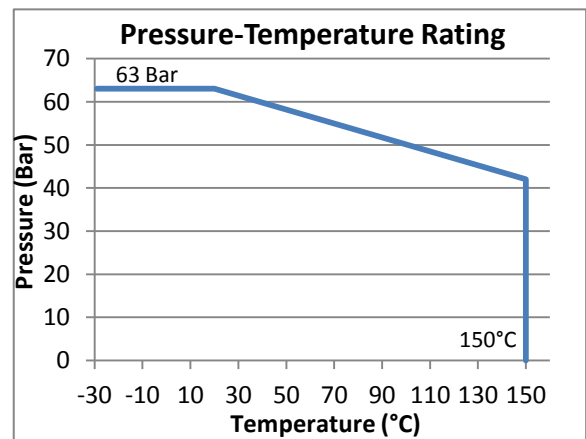
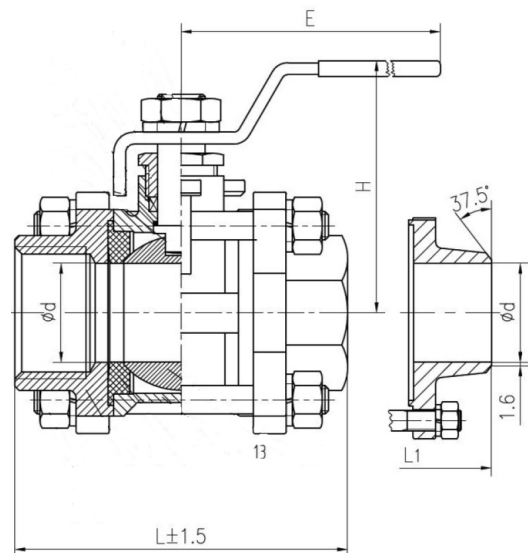
- 3 PC Body
- Full Bore, Quarter turn operation
- Size: 1/4" – 4" (DN6-100)
- Working Pressure: 1000 PSI
- Butt Welding End
- Applicable Medium: General oil, Gas & Water applications
- Blow-out Proof Stem Design
- Temperature Range: -29°C to 150°C



Material List:

No.	Part Name	Material
1	Body	SS316, CF8M
2	Cap	SS316
3	Ball	SS316
4	Seal	PTFE
5	Bolt	SS304
6	Gasket	SS301
7	Stem Nut	SS304
8	Stem Seal	PTFE
9	Stem	SS316
10	Packing	PTFE
11	Packing Gland	SS304
12	Handle	SS304
13	Spring Washer	SS301
14	Stem Nut	SS304

Addison **Flu|ds**



Dimension List for Butt Weld End Valve 1000 PSI:

NPS	Connection	Impa Code	Part No	d	L	H	W	PCD	Weight (kg)
3/8"	BW	-	VL-S-B3-BW-1000-06	12.5	66	45	-	-	-
1/2"	BW	-	VL-S-B3-BW-1000-08	15	74	50	26	33	0.57
3/4"	BW	-	VL-S-B3-BW-1000-12	20	79	60	30.5	39.5	0.80
1"	BW	-	VL-S-B3-BW-1000-16	25	88	65	36	43.5	1.07
1 1/4"	BW	-	VL-S-B3-BW-1000-20	32	108	85	48	55.5	1.81
1 1/2"	BW	-	VL-S-B3-BW-1000-24	38	119	85	54	60	2.30
2"	BW	-	VL-S-B3-BW-1000-32	49	143	95	68	75	3.54
2 1/2"	BW	-	VL-S-B3-BW-1000-40	65	180	115	86	94	-
3"	BW	-	VL-S-B3-BW-1000-48	78	209	130	100	100	-
4"	BW	-	VL-S-B3-BW-1000-64	98	260	157	121	123	-

Part Number Reference:

Impa Code	Part No	Description
-	VL-S-B3-BW-1000-06	3/8" B/W SCH80S SS316 3 PC BALL VALVE (1000 WOG)
-	VL-S-B3-BW-1000-08	1/2" B/W SCH80S SS316 3 PC BALL VALVE (1000 WOG)
-	VL-S-B3-BW-1000-12	3/4" B/W SCH80S SS316 3 PC BALL VALVE (1000 WOG)
-	VL-S-B3-BW-1000-16	1" B/W SCH80S SS316 3 PC BALL VALVE (1000 WOG)
-	VL-S-B3-BW-1000-20	1 1/4" B/W SCH80S SS316 3 PC BALL VALVE (1000 WOG)
-	VL-S-B3-BW-1000-24	1 1/2" B/W SCH80S SS316 3 PC BALL VALVE (1000 WOG)
-	VL-S-B3-BW-1000-32	2" B/W SCH80S SS316 3 PC BALL VALVE (1000 WOG)
-	VL-S-B3-BW-1000-40	2 1/2" B/W SCH80S SS316 3 PC BALL VALVE (1000 WOG)
-	VL-S-B3-BW-1000-48	3" B/W SCH80S SS316 3 PC BALL VALVE (1000 WOG)
-	VL-S-B3-BW-1000-64	4" B/W SCH80S SS316 3 PC BALL VALVE (1000 WOG)

Chuan Kok Hardware & Machinery Pte Ltd

Address: 1783 Geylang Bahru #01-02, Kallang Distripark Singapore 339708

Telephone Number: +65 6294 2566

Fax Number: +65 6295 7013

Email Address: info@chuankok.com

Website: www.chuankok.com

Business Registration Number: 198201577Z

Country of Registration: Singapore

Conditions of Use of Catalogue

The information in the catalogue are not binding and in order to improve distribution, Chuan Kok Hardware & Machinery Pte Ltd reserves the right to make any change including size and pressure ratings considered necessary at any time and without prior notice.

According to the copyright and the civil law, any reproduction (also partial) of figures and texts of this catalogue by means of electronic, mechanical, photocopies, microfilms, recordings or other is forbidden without Chuan Kok Hardware & Machinery Pte Ltd's authorization.

Catalogue Version: 1215